

Main Specifications

▼ Type

Capillary type (XR) –
Liquid filled
Bottom connection type (XA) –
Gas filled

▼ Process connection

Material: SS316
1/2" or 3/4" NPT male thread
Other thread spec. are available
made-to-order

▼ Conduit connection

Material: SS316
1/2" or 3/4" NPT female thread
Other thread spec. are available
made-to-order

▼ Temperature range

-70~400°C (Liquid filled type)
-200~650°C (Gas filled type)

For details please refer to the
tables of temperature range &
min. stem length

▼ Capillary length

Max. 20M (Liquid filled type)
Max. 30M (Gas filled type)

▼ Ambient temperature

-20~60°C

▼ Applicable fluid

Liquid and gas that compatible
with material of connection

▼ Explosion-proof level

Class I, Groups B, C & D
Class II, Groups E, F & G;
NEMA 4X

Other Specifications

▼ Case material

Die casting aluminum alloy

▼ Stem diameter

Φ6 / Φ8 / Φ10 / Φ12

▼ Switch type

SPDT micro switch
Current: Max. 5A

▼ Operating voltage

250VAC / 28VDC

▼ Contact rating

5A, 250VAC / 5A, 28VDC /
3A, 28VDC

▼ Contact number

SPDTx1 / SPDTx2

▼ Contact material

Pure silver 999.9

▼ Wetted parts material

SS316

▼ Switch current

5A (Ohm load)
3A (Inductive load)

▼ Switch error

±1.6~3%F.S.

▼ Other requests (Option)

Third party notarized
documents
Inspection report
Tag

Temperature Switch (Explosion-proof Type) Model: TS-3000X Series Introduction

TS-3000X series temperature switch adopts SPDT micro switch, features max. current 5A and explosion-proof protection, which is suitable for temperature control in high current environment.



TS-3000XR



Due to the variety of customization, the picture is only for reference, please confirm the actual item with our sales. (If there is any change on specification, please take the latest version as standard.)

Features

- OEM service
- Adopts SPDT micro switch, max. current 5A
- Contact number: SPDTx1 / SPDTx2
- Wide temperature range:
 - 70~400°C (Liquid filled type) /
 - 200~650°C (Gas filled type)
- Capillary installed for remote temperature measurement
- Explosion-proof level:
 - Class I, Groups B, C & D
 - Class II, Groups E, F & G; NEMA 4X

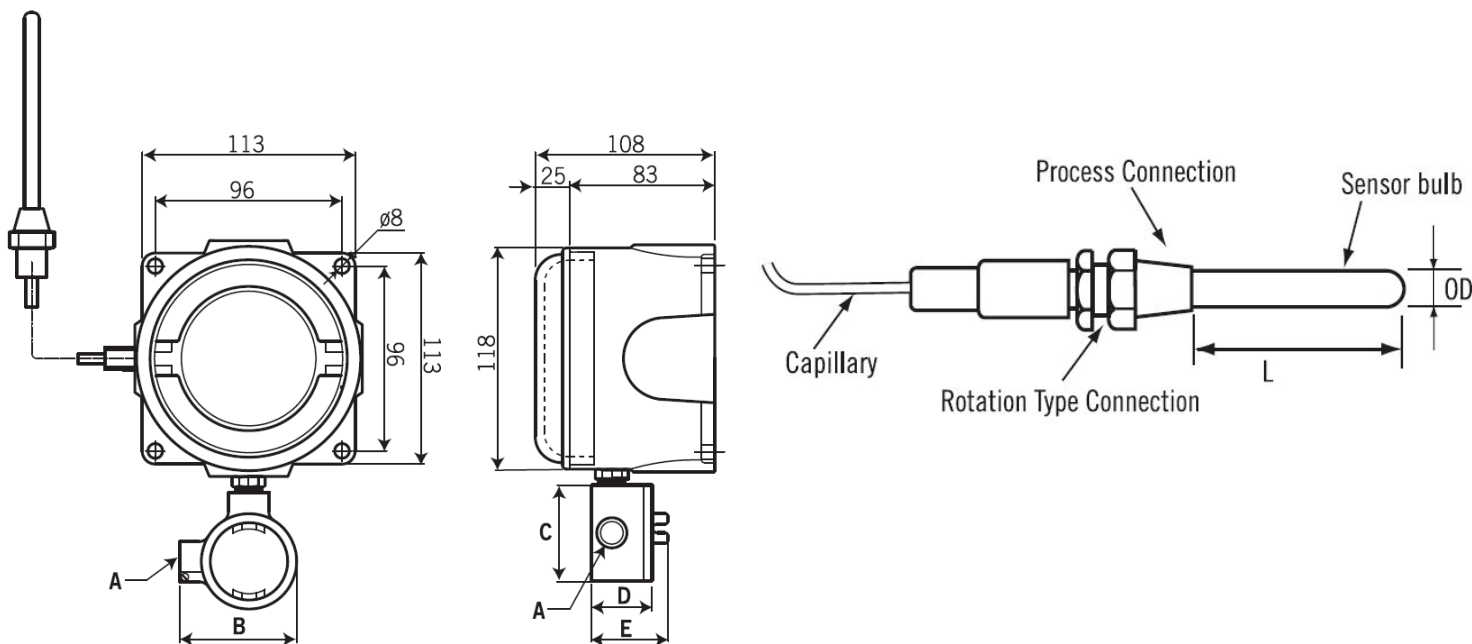


TS-3000XA

Temperature range & min. stem length table (unit: mm)

Liquid Filled Type						Gas Filled Type					
Code	Outer dia. Range (°C)	Φ6	Φ8	Φ10	Φ12	Code	Outer dia. Range (°C)	Φ6	Φ8	Φ10	Φ12
L1	-70~+50	100	70	40	30	G1	-200~+200	250	170	140	90
L2	-50~+50	120	80	50	30	G2	-100~+300				
L3	-30~+50	150	100	60	40	G3	-50~+400				
L4	-30~+100	100	70	40	30	G4	-50~+500				
L5	-10~+50	190	130	70	50	G5	-50~+600				
L6	-10~+100	110	80	50	30	G6	0~400				
L7	0~50	230	150	80	60	G7	0~500				
L8	0~60	190	130	70	50	G8	0~650				
L9	0~80	150	100	60	40						
L10	0~100	120	80	50	30						
L11	0~120	100	70	40	30						
L12	0~150	80	60	40	30						
L13	0~200	70	50	30	20						
L14	0~250	60	40	30	20						
L15	0~300	50	40	20	20						
L16	0~400	40	30	20	20						

Dimension (unit: mm)



A	B	C	D	E
1/2" NPT	80	70	63	73
3/4" NPT	100	90	67	79

How to Order

TS-3000X Series Temperature Switch (Explosion-proof Type)									
Std.	Spec.	Code	Item	Code	Item	Code	Item	Code	Item
XR	Type	XR	Liquid filled type	XA	Gas filled type	–	–	–	–
4N	Process connection	4N	1/2" NPT	6N	3/4" NPT	O	Others	–	–
4N	Conduit connection	4N	1/2" NPT	6N	3/4" NPT	O	Others	–	–
L1	Temp. range	-70~400°C (Liquid filled type) -200~650°C (Gas filled type) Please refer to the tables of temperature range & min. stem length to select corresponding code							
Custom	Capillary length	Max. 20M (Liquid filled type) Max. 30M (Gas filled type) Customized capillary length is available.							
Custom	Stem diameter	Φ6 / 8 / 10 / 12 mm Customized stem outer diameter is available.							
Custom	Stem length	Please refer to stem specification table The specified stem length cannot below minimum stem length listed in the table.							
1	Contact number	1	SPDTx1	2	SPDTx2	–	–	–	–
A	Contact rating	A	5A, 250VAC	B	5A, 28VDC	C	3A, 28VDC	–	–

Order example: TS-3000XR - 4N - 4N - L1 - 20M - 6mm - 100mm - 1 - A