

## Main Specifications

## ▼ Size

6"

## ▼ Installation type

Bottom mount (A) /

Bottom mount with flange (B)

## ▼ Window

PC

Option:

Tempered glass / Safety glass

With rubber O-ring sealed

## ▼ Pressure connection

Material: copper alloy

With rubber O-ring sealed

Size: 3/8" , 1/2"

Type: BSPT, NPT, PF

## ▼ Pressure range

Gauge pressure ▼

0...0.6 to 1000 bar

Negative pressure ▼

-1...0bar

Compound pressure ▼

-1...0 to 20bar

## ▼ Applicable fluid

Liquid and gas that compatible  
with copper alloy

## ▼ Ambient temperature

5°C to 40°C

## ▼ Fluid temperature

+40°C

## ▼ Temperature error

Every ±12 °C

max. error: ±0.3%F.S.

## ▼ Protection level

IP54

## Other Specifications

## ▼ Ring

Stainless steel

## ▼ Ring mount

Screw fixed

## ▼ Case

SS 304

## ▼ Pointer

Aluminum with black enamel

Knife edge design

## ▼ Dial face

Special dial face for  
precision readings

External zero adjustment

Pressure unit, scale, color can  
be customized upon requests

## ▼ Measuring elements

Bourdon tube

Material: copper alloy /

50 chromium-vanadium steel /  
SS304

## ▼ Movement

Copper alloy

## ▼ Accuracy

±0.4%F.S. (Standard) /

±0.25%F.S. (Option)

## ▼ Operating pressure

Stabilization: 3/4\* full scale

Fluctuation: 2/3\* full scale

Impulse: 1\* full scale

Precision Test Pressure Gauge  
(Stainless Steel Case Type)

Model: TPG-SC

## Introduction

TPG series precision test pressure gauge features high accuracy with affordable price, which is suitable for calibration authority or laboratory that need high accuracy pressure measurement.

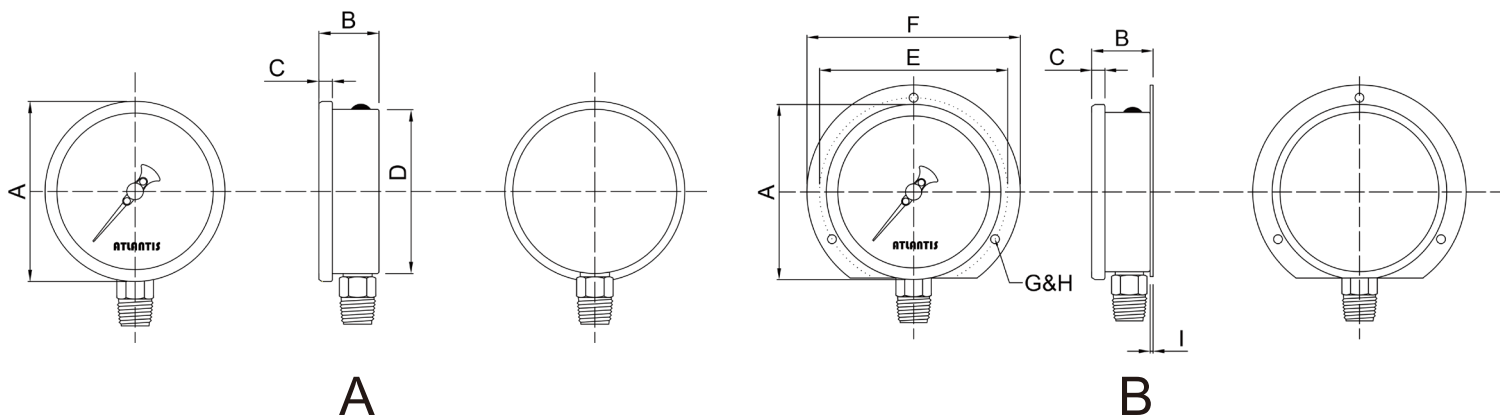


Due to the variety of customization, the picture is only for reference, please confirm the actual item with our sales. (If there is any change on specification, please take the latest version as standard.)

## Features

- OEM service
- Stainless steel case pressure gauge with high accuracy performance
- Accuracy can up to  $\pm 0.25\%$ F.S.
- Pointer adopts knife edge design, indicating the reading accurately

## Installation type



## How to order

### TPG-SC Precision Test Pressure Gauge (Stainless Steel Case Type)

Std.	Spec.	Code	Item	Code	Item	Code	Item	Code	Item	Code	Item
06	Size	06	6"	-	-	-	-	-	-	-	-

A	Installation type	A	Bottom mount	B	Bottom mount with flange	-	-	-	-	-	-
---	-------------------	---	--------------	---	--------------------------	---	---	---	---	---	---

B	Connection material	B	Copper alloy	O	Others	-	-	-	-	-	-
---	---------------------	---	--------------	---	--------	---	---	---	---	---	---

B	Bourdon tube material	B	Copper alloy	CS	50 Chrome vanadium steel	304	SS304	O	Others	-	-
---	-----------------------	---	--------------	----	--------------------------	-----	-------	---	--------	---	---

4	Thread size	3	3/8"	4	1/2"	-	-	-	-	-	-
---	-------------	---	------	---	------	---	---	---	---	---	---

N	Thread type	P	BSPT	N	NPT	F	PF	O	Others	-	-
---	-------------	---	------	---	-----	---	----	---	--------	---	---

Custom	Pressure range	Gauge pressure – (0...0.6 to 1000bar) Negative pressure – (-1...0bar) Compound pressure – (-1...0...0.6 to 20bar) Pressure unit (psi, bar, kPa, kg/cm <sup>2</sup> , MPa, inHg, mmHg, cmHg, etc...) & single / dual scale can be customized upon requests									
--------	----------------	--	--	--	--	--	--	--	--	--	--

A	Accuracy	A	±0.4%F.S.	B	±0.25%F.S.	-	-	-	-	-	-
---	----------	---	-----------	---	------------	---	---	---	---	---	---

/B	Other demands	/A	Third party notarized documents	/B	Inspection report
		/C	Tag	/D	Customized dial (scale, color, unit, etc.)
		/E	Dampened movement, oil cup (Applicable to use no oil environment)	/F	Adjustable pointer (In replace of adjustable screw)
		/G	Internal stop pin for overpressure protection	/H	Window - Safety glass
		/I	Window – Tempered glass	/J	Epoxy coating
		/K	Stainless steel movement	/L	O-ring material - silicone rubber
		/M	Case material SS316	/N	Indicator (red, green, yellow)
		/O	Specify front or rear flange	-	-

Order example: TPG-SC - 06 - A - B - B - 4 - N - (0...0.6 to 10bar) - A - /B