

Main Specifications

▼ Installation type

WM-Wall mount
D-Duct
R-Remote reading

▼ Body dimension

115 x 65mm

▼ Humidity measurement range

0...100% RH

▼ Temp. measurement range

-40...120°C

Adjust temperature range through dip switch (RS485 type is not adjustable)

▼ Screen display

1-line / 2-line / 3-line adjustable LCD screen display

Screen size: 128x64

Use touch button to operate and configure

▼ Psychrometric calculations

(Td) Dew point temp.

(Tf) Frost point temp.

(R) Mixing ratio

(A) Absolute humidity

(Tw) Wet bulb temperature

(S) Enthalpy

(E) Water vapor pressure

▼ Probe

Material:

Wall mount and remote type ▼

Nickel coated copper

Duct type ▼

Aluminum alloy

Pressure resistance: 10 bar

Outer diameter: Ø16mm

Length: for details please contact with our sales

▼ Body operating temperature

-20...70°C (-4...158°F)

▼ Protection level

Case: IP65

Probe: IP20

▼ Electromagnetic interference protection

Comply with EMC standard

EN61326-1

Industrial environment

▼ Optional accessory

Sintered stainless steel 70u

Sintered stainless steel 30u

Aluminum flange

Stainless steel screwed fitting

Wall mounting clip

Configure adapter

Other Specifications

▼ Housing material

PC (Polycarbonate)

▼ Analog output

4-20mA (2-wire)

0~1V / 5V /10V (3-voltage)

▼ Digital output (option)

MODBUS RTU RS485

▼ Alarm output (option)

Relay type: Electromagnetic

Contact type: SPDT

Contact capacity: 8A, 277VAC (resistive load)

▼ Humidity accuracy

(Including non-linearity, hysteresis, and repeatability)

±3%RH (0...20/80...100%RH)

±2%RH (20...80%RH)

▼ Temperature accuracy

(Including non-linearity, hysteresis, and repeatability)

±0.7°C (@-40...5°C)

±0.3°C (@5...60°C)

±0.9°C (@60...120°C)

▼ Stability

Humidity: 0.5%RH/year

Temperature: 0.04°C/year

▼ Response time

Humidity: 5 secs (33-75%RH)

Temperature: 10 secs (15 to 45°C)

▼ Power supply

Current output:

11...35VDC, Load <50Ω

20...35VDC, Load <500Ω

Voltage output:

15...35VDC, 12...29VAC

RS485 Output:

15...35VDC, 12...29VAC

▼ Power consumption

(@20°C, V+24VDC)

2A-40mA

3V-10mA,

3V+alarm-25mA

RS485-25mA

RS485 alarm-40mA

▼ Cable (remote type)

Cable bushing PG9:

4.5...8.2mm

Cable length: 2m

Cable material: Shield PVC

Multifunctional temperature and Humidity Transmitter with Display

Model: THT-S-D Series

Introduction

THT-S-D series humidity and temperature transmitter has 3 installation types (wall mount, duct and remote) for selection to adapt various environment. THT-S-D transmitter can measure -40~120°C temp. and 0~100%RH. Optional function Modbus RTU RS485, alarm output, psychrometric calculations unit display are available for various requests.



THT-S-D-WM Wall mount type



THT-S-D-D-Duct type



Due to the variety of customization, the picture is only for reference, please confirm the actual item with our sales.

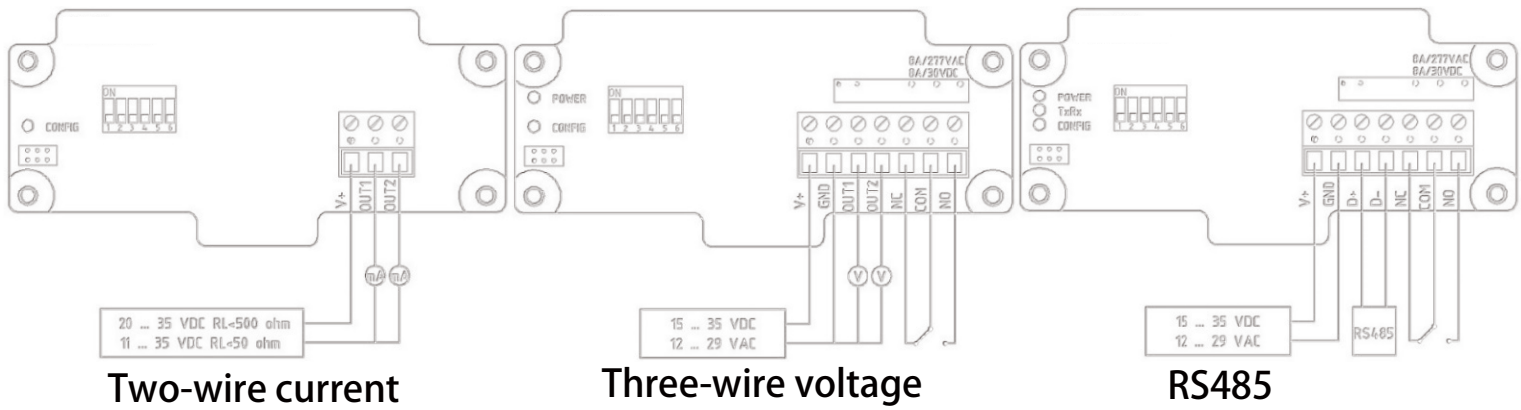
Features

- Three installation types to meet various needs
- Temperature scale can be adjusted by dip switch
- Heat-, pressure-, and mechanical stress resistance probe
- Case protection level IP65 can avoid environmental contamination and prevent condensation generated
- Various current/voltage output for selection
- Zero offset calibration
- 1-line / 2-line / 3-line adjustable LCD display which can show 1-3 measured value
- Touch button on the interface enables field configuration without open the case
- Alarm output function is available to control switch and power
- RS485 protocol can connect transmitter to computer to realize remote monitor multiple transmitters and value record and export through one computer

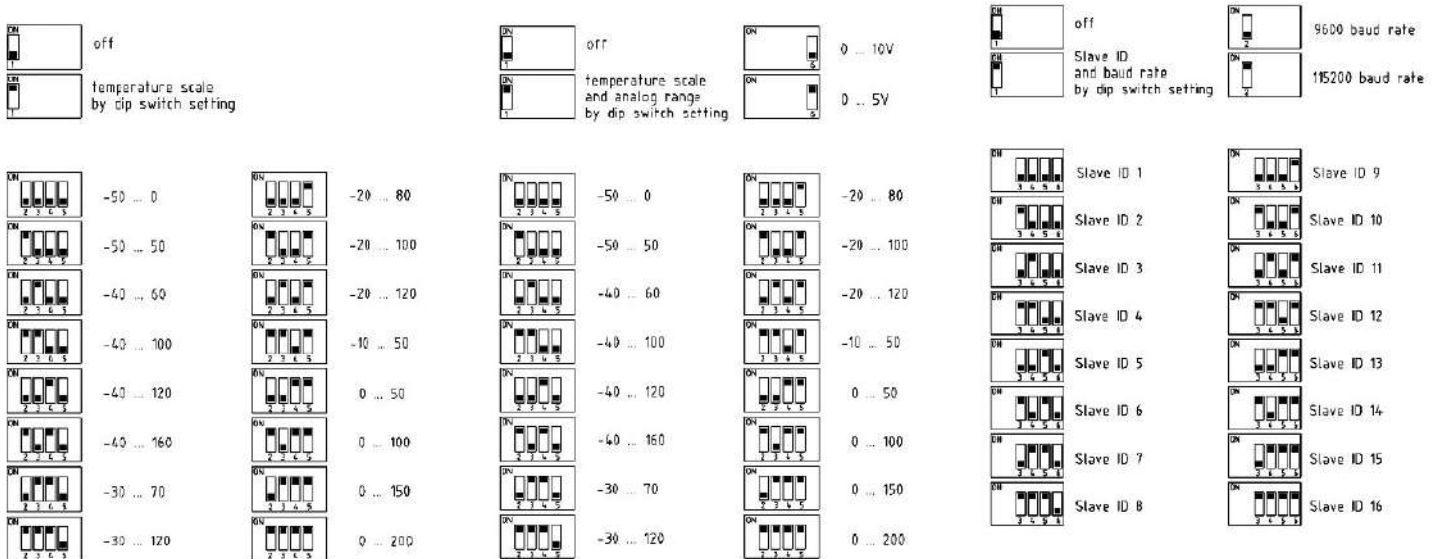


THT-S-D-R-Remote type

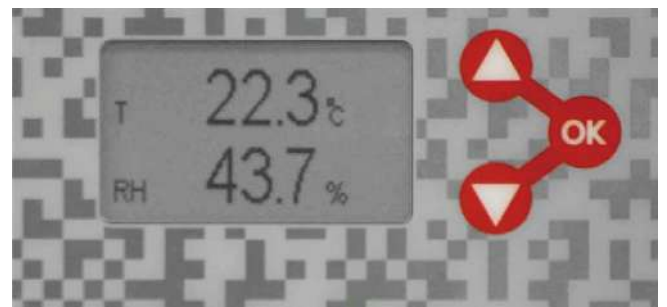
Wiring diagram



Dip switch



1-line display (temp.)



2-line display (temp. & humidity)

How to order

| THT-S-D | | Multifunctional temperature and Humidity Transmitter with Display | | | |
|---------|------|---|---|---|---------------------------------------|
| | Code | Installation type | | | |
| | WM | Wall mount | | | |
| | D | Duct | | | |
| | R | Remote | | | |
| | Code | Output signal | | | |
| | A | 4-20mA | | | |
| | B | 0~1V | | | |
| | C | 0~5V | | | |
| | D | 0~10V | | | |
| | E | RS485 | | | |
| | Code | Psychrometric calculations | | | |
| | Y | Yes | | | |
| | N | No | | | |
| | Code | Alarm output | | | |
| | Y | Yes | | | |
| | N | No | | | |
| | Code | Other requests | | | |
| | /A | Third party notarized documents | | | |
| | /B | Inspection report (issued by Re-Atlantis) | | | |
| | /C | Tag | | | |
| | /D | Humidity accuracy 1.5% | | | |
| | /E | Sintered stainless steel 70u | | | |
| | /F | Sintered stainless steel 30u | | | |
| | /G | Aluminum flange | | | |
| | /H | Stainless steel screwed fitting | | | |
| | /I | Wall mounting clip | | | |
| | /J | Configure adaptor | | | |
| THT-S-D | WM | A | Y | N | Order example: THT-S-D-WM-A-Y-N+/D+/E |