

Main Specifications▼ **Size**

1.5" , 2" , 2.5" , 3" , 4" , 6" , 8" , 10"

▼ **Installation type**

Bottom mount (A) /
Bottom mount with back flange(B) /
Back mount (Centric thread) (ADC) /
Back mount (Eccentric thread) (ADE) /
Back mount with front flange (Centric thread) (BDC) /
Back mount with front flange (Eccentric thread) (BDE) /
Back mount with U-Clamp (Centric thread) (UDC) /
Back mount with U-Clamp (Eccentric thread) (UDE) /
Back mount with front flange and U-Clamp (Centric thread) (UBDC) /
Back mount with front flange and U-Clamp (Eccentric thread) (UBDE)

▼ **Window**

PC / Glass

Option: Safety glass

▼ **Pressure connection**

Material: SS316

Thread size:

1/8" , 1/4" , 3/8" , 1/2"

Thread type:

BSPT, NPT, PF

▼ **Pressure range**

Gauge pressure ▼

0...0.6 to 1000 bar

(> 1000bar is available made-to-order)

Negative pressure ▼

-1...0bar / -76...0cmHg

Compound pressure ▼

-1...0 to 20bar

▼ **Applicable fluid**

Liquid and gas that compatible with stainless steel

▼ **Ambient temperature**

Dry: -20 to +60°C

Glycerin-filled: +10 to +60°C

Silicone oil-filled: -45 to +60°C

▼ **Media temperature**

Dry: +100°C

Glycerin filled: +100°C

Silicon oil filled: +100°C

<Silicon oil filled type can be for medium +200°C only if the case and connection are welded together (argon-arc welding), available for $\Phi 2.5'' \sim 10'' >$

▼ **Liquid-filling**

Dry

Glycerin

Silicone oil

Oil-free treatment

Other Specifications▼ **Ring**

Stainless steel

▼ **Ring**

Crimp / Bayonet / Snap-in

For more details please check Size-

Ring table

▼ **Housing**

SS304

▼ **Pointer**

Aluminum with black enamel

▼ **Dial face**

Blue and black scale

Other pressure unit, scale & color

available upon request

▼ **Measuring elements**

Bourdon tube

Material : SS316

▼ **Protection design (option)**

Blow out disk

▼ **Movement**

Stainless steel

▼ **Accuracy**

$\pm 2.0\%$ F.S. for ($\Phi 1.5''$, 2")

$\pm 1.5\%$ F.S. for ($\Phi 2'' \sim 3''$)

$\pm 1.0\%$ F.S. for ($\Phi 3'' \sim 10''$)

▼ **Operating pressure**

Stabilization 3/4* full scale

Fluctuation 2/3* full scale

Impulse 1* full scale

▼ **Other requests**

Third party notarized documents

Inspection report

Tag

Customized dial face (scale, color, unit, etc.)

Install a diaphragm

Dampened movement

Window – Safety glass (Only available for size $> 4''$)

Peak hold pointer

Case material: SS316

External indicator (Red, green, yellow)

Adjustable pointer (Only available for size $> 4''$)

Blow out disk

All Stainless Steel Pressure Gauge**Model: SUS****Introduction**

SUS pressure gauge has various size and installation type for selection. It applicable to measure slight corrosive media that compatible with stainless steel. Particularly used in chemical, petrochemical, food industry, biochemistry and any rush industries.

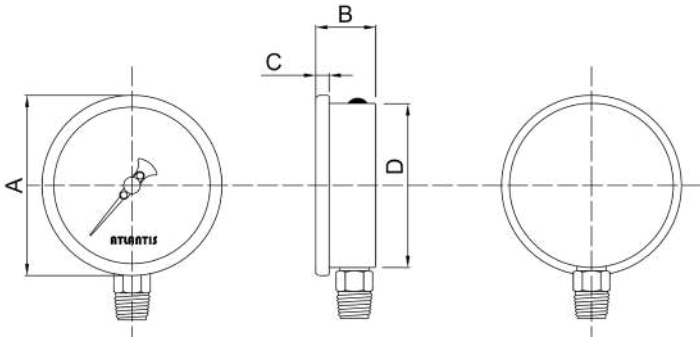


Due to the variety of customization, the picture is only for reference, please confirm the actual item with our sales. (If there is any change on specification, please take the latest version as standard.)

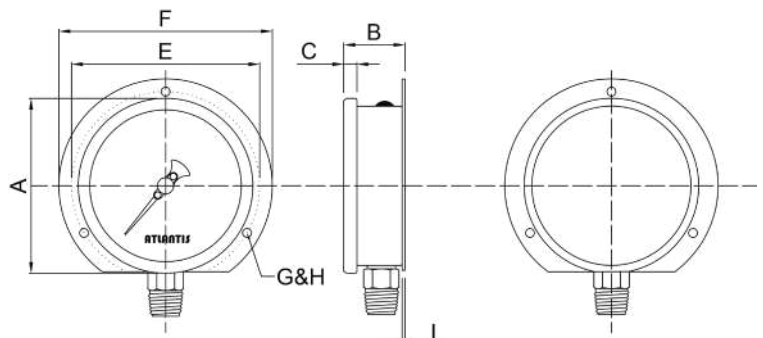
Features

- OEM Service
- All stainless steel design
- Various installation and thread type available for different application
- Filled with liquid to improve vibration-proof performance and service life (option)
- Install blow out disk or use safety glass to ensure safety operation

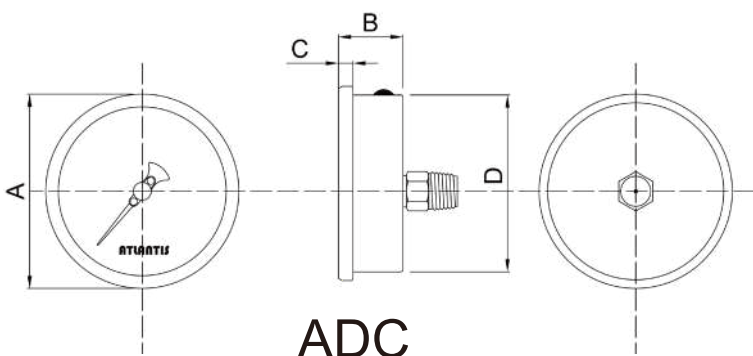
Installation Type



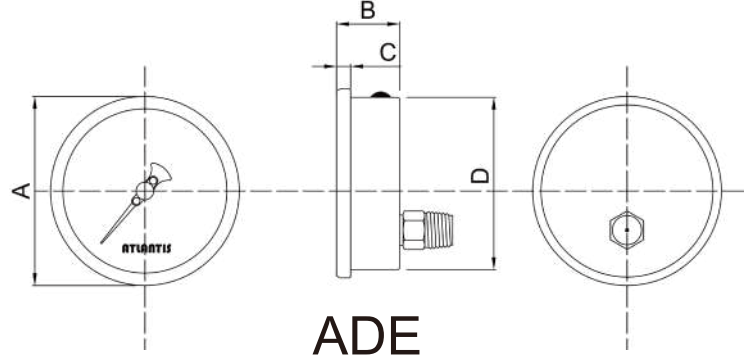
A



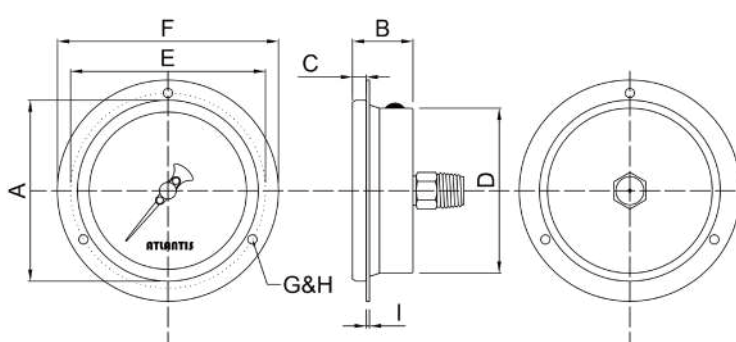
B



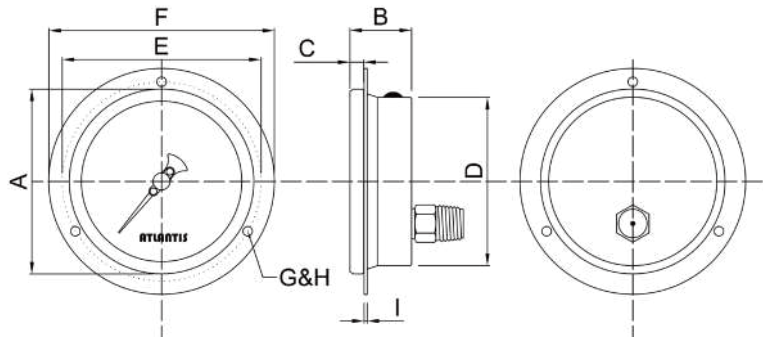
ADC



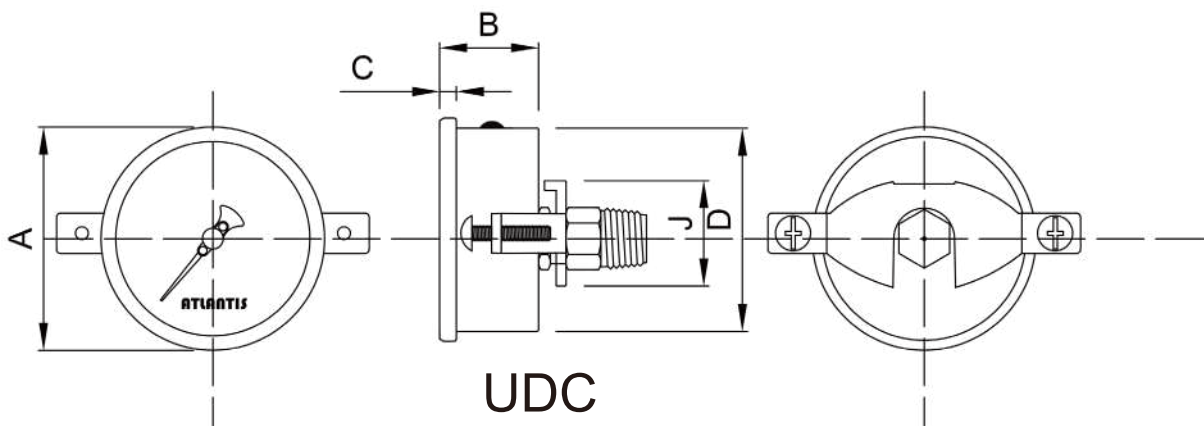
ADE



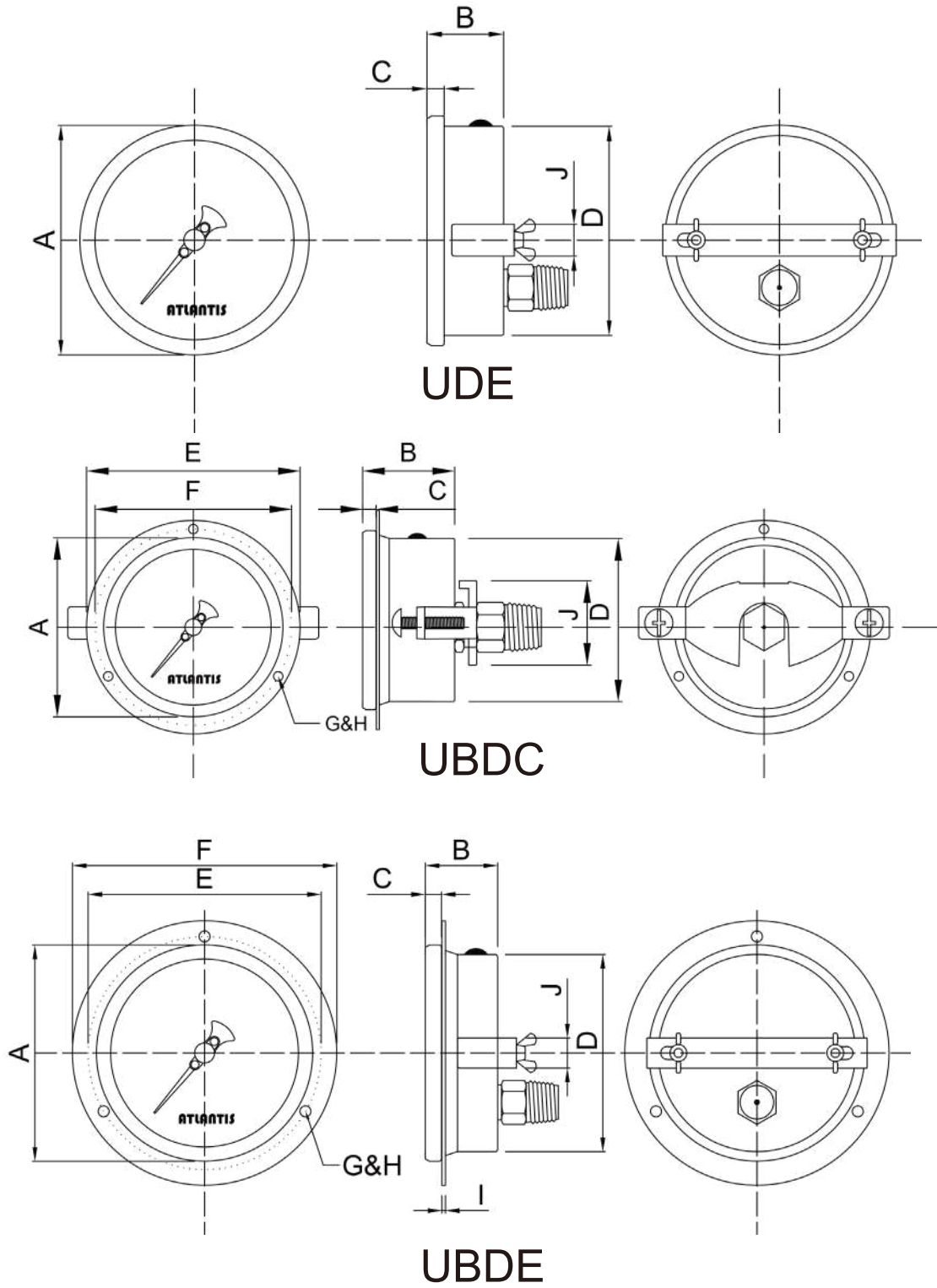
BDC



BDE



UDC



Size-Installation type table

Installation type	1.5"	2"	2.5"	3"	4"	6"	8"	10"
A	●	●	●	●	●	●	●	●
B			●	●	●	●	●	●
ADC	●	●	●	●	●			
ADE				●	●	●	●	●
BDC		●	●	●	●			
BDE				●	●	●	●	●
UDC		●	●		●			
UDE				●	●			
UBDC					●			
UBDE					●			

Size-Ring table

Mount type	1.5"	2"	2.5"	3"	4"	6"	8"	10"
Crimp	●	●	●	●	●			
Bayonet		●	●	●	●	●	●	●
Snap-in		●	●					

How to Order

SUS All Stainless Steel Pressure Gauge									
Std.	Spec.	Code	Item	Code	Item	Code	Item	Code	Item
04	Size	015	1.5"	02	2"	025	2.5"	03	3"
		04	4"	06	6"	08	8"	10	10"
L	Liquid-filling	O	Dry	L	Glycerin	S	Silicone oil	N	Oil-free treatment
A	Type	A	Bottom mount	B	Bottom mount with back flange	ADC	Back mount (Centric thread)	ADE	Back mount (Eccentric thread)
		BDC	Back mount with front flange (Centric thread)	BDE	Back mount with front flange (Eccentric thread)	UDC	Back mount with U-Clamp (Centric thread)	UDE	Back mount with U-Clamp (Eccentric thread)
		UBDC	Back mount with front flange and U-Clamp (Centric thread)	UBDE	Back mount with front flange and U-Clamp (Eccentric thread)	-	-	-	-
3	Thread size	1	1/8"	2	1/4"	3	3/8"	4	1/2"
P	Thread type	P	BSPT	N	NPT	F	PF	O	Others
Custom	Pressure range	Gauge pressure – (0…0.6 to 1000bar, > 1000bar is available made-to-order) Negative pressure – (-1…0bar) Compound pressure – (-1…0…0.6 to 20bar) Custom pressure unit scale (psi, bar, kPa, kg/cm ² , MPa, inHg, mmHg, cmHg, etc…), single / dual scale							
/B	Other requests	/A	Third party notarized documents			/B	Inspection report		
		/C	Tag			/D	Customized dial face (scale, color, unit, etc.)		
		/E	Install a diaphragm			/F	Dampened movement		
		/G	Window — Safety glass (Only available for size >4")			/H	Peak hold pointer		
		/I	Case material: SS316			/J	External indicator (Red, green, yellow)		
		/K	Adjustable pointer (Only available for size >4")			/L	Blow out disk		

Order example: SUS - 04 - L - A - 3 - P - (0…0.6 to 10bar) - /B