

Main Specifications	Other Specifications	
<p>▼ <b>Size</b> 4" , 6"</p> <p>▼ <b>Installation type</b> Bottom mount (A) / Bottom mount with flange (B) / Back mount (Eccentric thread) (ADE) / Back mount with flange (Eccentric thread) (BDE) / Back mount with U-clamp (Eccentric thread) (UDE) / Back mount with flange and U-clamp (Eccentric thread) (UBDE)</p> <p>▼ <b>Window</b> Safety glass</p> <p>▼ <b>Pressure connection</b> Material: SS304 Thread size: 1/4" , 3/8" , 1/2" Thread type: BSPT, NPT, PF</p> <p>▼ <b>Pressure range</b> Gauge pressure ▼ 0...0.6 to 400bar Negative pressure ▼ -1...0bar / -76...0cmHg Compound pressure ▼ -1...0 to 20bar</p> <p>▼ <b>Applicable fluid</b> Liquid and gas that compatible with SS304</p> <p>▼ <b>Ambient temperature</b> -40°C to +60°C</p> <p>▼ <b>Fluid temperature</b> +120°C</p> <p>▼ <b>Temperature error</b> Every 12°C max. error ±0.3% F.S</p> <p>▼ <b>Protection level</b> IP54 (option: IP65)</p>	<p>▼ <b>Ring</b> Stainless steel</p> <p>▼ <b>Ring mount</b> Inside bayonet (Option: Outside bayonet)</p> <p>▼ <b>Case</b> SS304</p> <p>▼ <b>Pointer</b> Aluminum with black enamel</p> <p>▼ <b>Dial face</b> Blue and black scale Pressure unit, scale, color, etc., can be customized upon request.</p> <p>▼ <b>Measuring elements</b> Bourdon tube Material: SS304</p> <p>▼ <b>Additional protection</b> (option) Blow out back</p> <p>▼ <b>Movement</b> Dampened movement Material: stainless steel</p> <p>▼ <b>Accuracy</b> ±2.5% (Option: ±1.6%, ±1%, ±0.5%)</p> <p>▼ <b>Operating pressure</b> Stabilization 3/4* full scale Fluctuation 2/3* full scale Impulse 1* full scale</p>	

Installation type	4"	6"
A	●	●
B	●	●
ADE	●	●
BDE	●	●
UDE		●
UBDE		●

# All Stainless Steel Shockproof Pressure Gauge Model: SP-SUS Introduction

This pressure gauge uses stainless steel dampened movement with excellent shockproof effect. Applicable for vibration but non-oil environment.

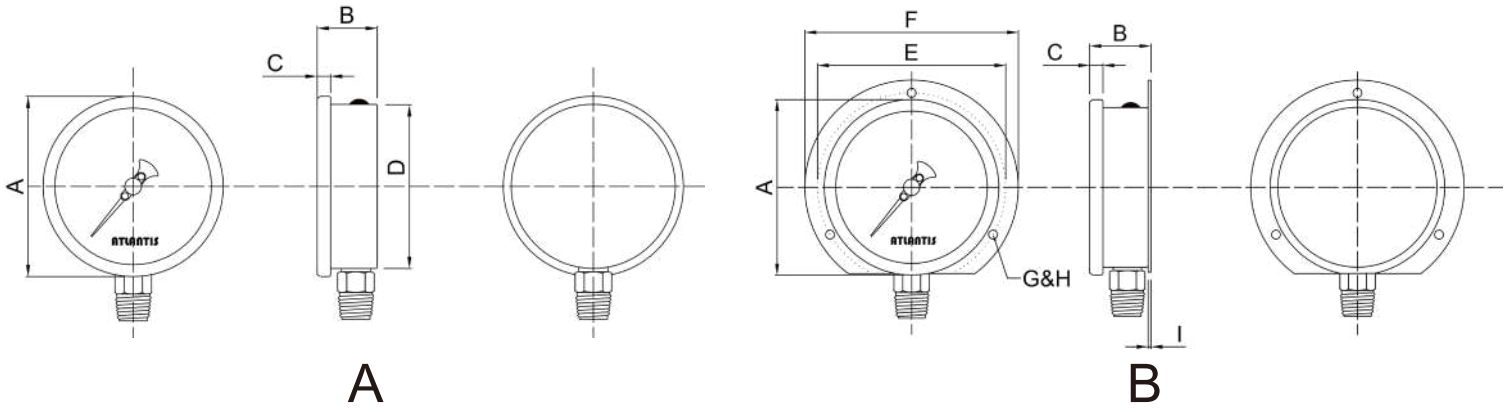


Due to the variety of customization, the picture is only for reference, please confirm the actual item with our sales. (If there is any change on specification, please take the latest version as standard.)

## Features

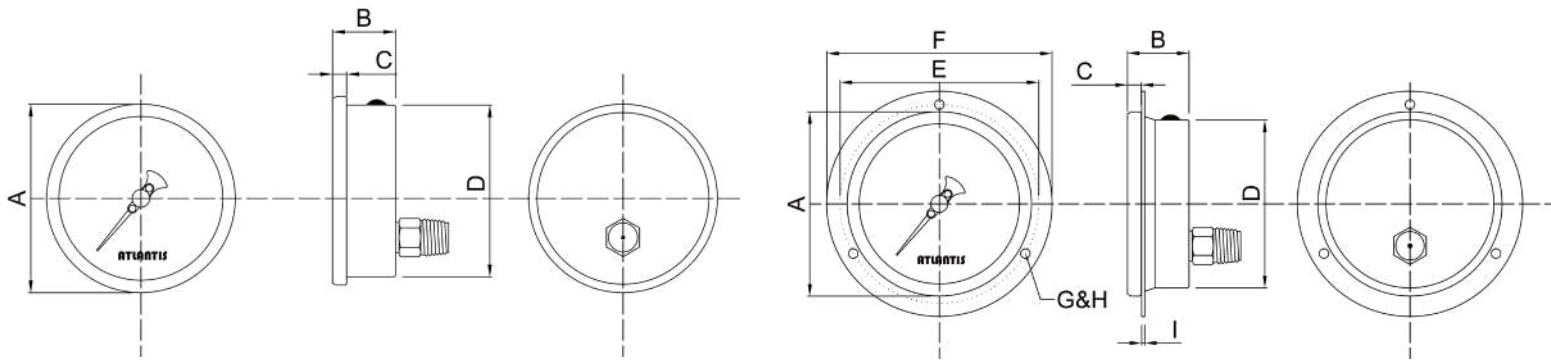
- OEM service
- All stainless steel design
- Dampened movement - specially design for shockproof environment
- Suitable for use no oil environment with shockproof requirement

Installation type



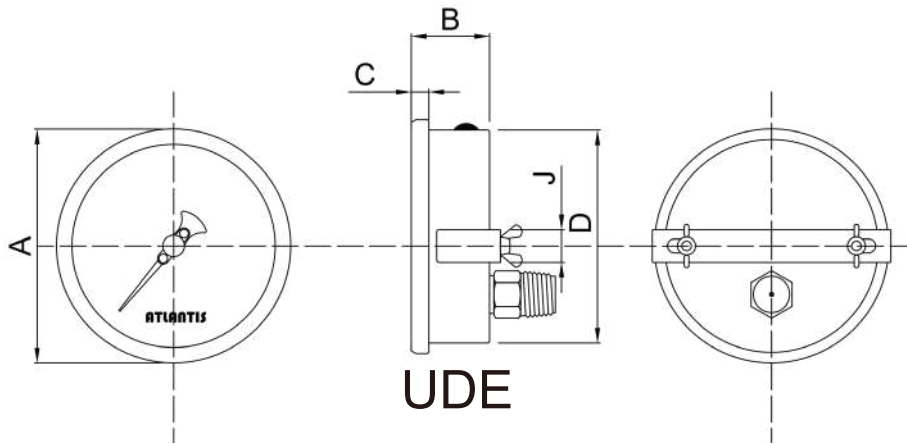
A

B

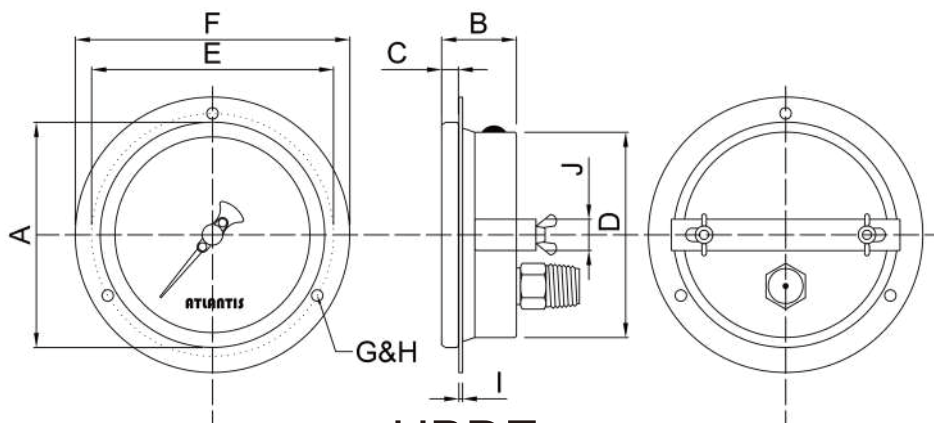


ADE

BDE



UDE



UBDE

## How to order

SP-SUS All Stainless Steel Shockproof Pressure Gauge									
Std.	Spec.	Code	Item	Code	Item	Code	Item	Code	Item
04	Size	04	4"	06	6"	–	–	–	–
A	Installation type	A	Bottom mount	B	Bottom mount with flange	ADE	Back mount (Eccentric thread)	BDE	Back mount with flange (Eccentric thread)
		UDE	Back mount with U-clamp (Eccentric thread)	UBDE	Back mount with flange and U-clamp (Eccentric thread)	–	–	–	–
304	Connection material	304	SS 304	316	SS 316	O	Others	–	–
304	Bourdon tube material	304	SS 304	316	SS 316	O	Others	–	–
2	Thread size	2	1/4"	3	3/8"	4	1/2"	–	–
N	Thread type	P	BSPT	N	NPT	F	PF	O	Others
IB	Ring mount	IB	Inside bayonet	OB	Outside bayonet	–	–	–	–
Custom	Pressure range	Gauge pressure – (0…1 to 400bar) Negative pressure – (-1…0bar) Compound pressure – (-1…0…1 to 20bar) Pressure unit (psi, bar, kPa, kg/cm <sup>2</sup> , MPa, inHg, mmHg, cmHg, etc…) & single / dual scale can be customized upon request							
B	Accuracy	A	±0.5%	B	±1%	C	±1.6%	D	±2.5%
/D	Other requests	/A	Third party notarized documents			/B	Inspection report		
		/C	Tag			/D	Customized dial face (scale, color, unit, etc.)		
		/E	Install a diaphragm seal			/F	Internal stop pin for overpressure protection		
		/G	Epoxy coating			/H	Window – safety glass		
		/I	Peak hold pointer			/J	Indicator (red, green, yellow)		
		/K	Case material stainless steel 316			/L	Silicone rubber sealed window		
		/M	Special square nut A Type			/N	Adjustable pointer		
		/O	Blow out back			/P	Oil filler hole		

Order example: SP-SUS - 04 - A - 304 - 304 - 2 - N - IB - (0…0.6 to 10bar) - B + /D