

## Main Specifications

## ▼Size

4" , 6"

## ▼Installation type

Bottom mount (A) /

Bottom mount with flange (B) /

Back mount with flange

(Eccentric thread) (BDE) /

Back mount with U-Clamp

(Eccentric thread) (UDE)

## ▼Window

Tempered glass

(Option: Safety glass)

## ▼Pressure connection

Material: copper alloy

(Option: Stainless steel)

Thread size:

1/4" , 3/8" , 1/2"

Thread type:

BSPT, NPT, PF

## ▼Pressure range

Gauge pressure ▼

0...1 to 350bar

Negative pressure ▼

-1...0bar / -76...0cmHg

Compound pressure ▼

-1...0 to 20bar

## ▼Applicable fluid

Liquid and gas that compatible  
with copper alloy

## ▼Ambient temperature

-40°C to +60°C

## ▼Fluid temperature

+60°C

## ▼Temperature error

Every 12°C

Max. error ±0.3% F.S

## ▼Protection level

IP54 (Option: IP65)

## Other Specifications

## ▼Ring

Stainless steel

## ▼Ring mount

Inside bayonet

## ▼Case

SS304

## ▼Pointer

Aluminum with black enamel

## ▼Dial face

Blue and black scale

Pressure unit, scale, color, etc.,

can be customized upon request

## ▼Measuring elements

Bourdon tube

Material: copper alloy

## ▼Protection design (option)

Blow out back

## ▼Movement

Dampened movement

Material: stainless steel

## ▼Accuracy

±2.5%F.S.

±1.6%F.S. ( Option)

±1.0%F.S. ( Option)

## ▼Operation pressure

Stabilization 3/4\* full scale

Fluctuation 2/3\* full scale

Impulse 1\* full scale

## Stainless Steel Case Shockproof Pressure Gauge Model: SP-SC Introduction

This pressure gauge uses stainless steel dampened movement with excellent shockproof effect. Applicable for vibration but non-oil environment.

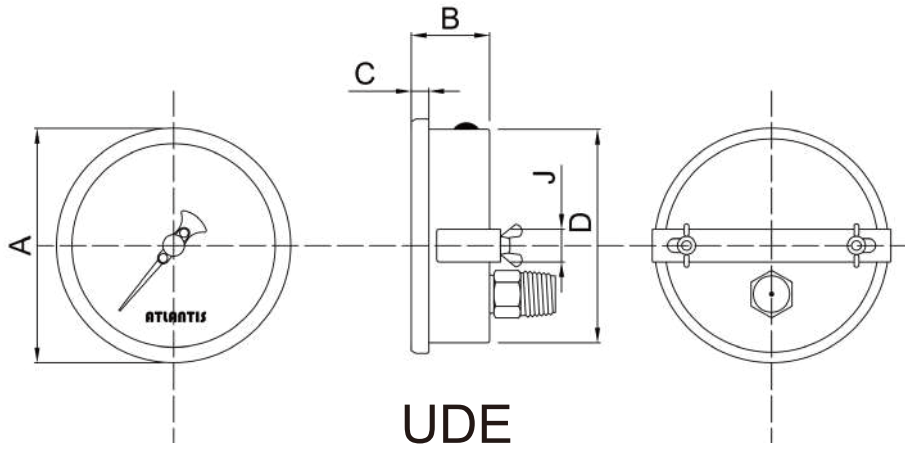
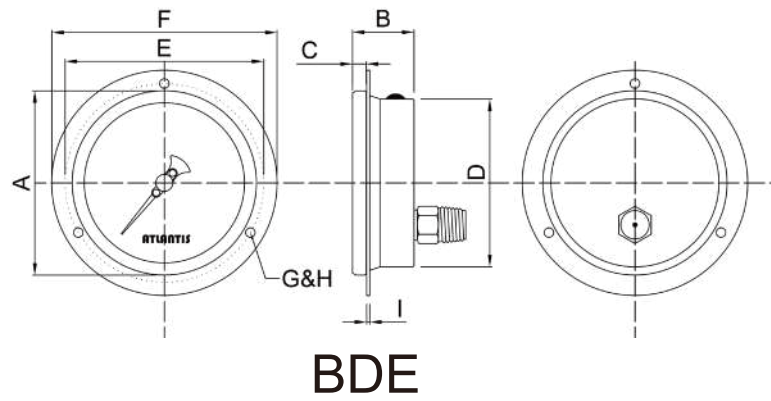
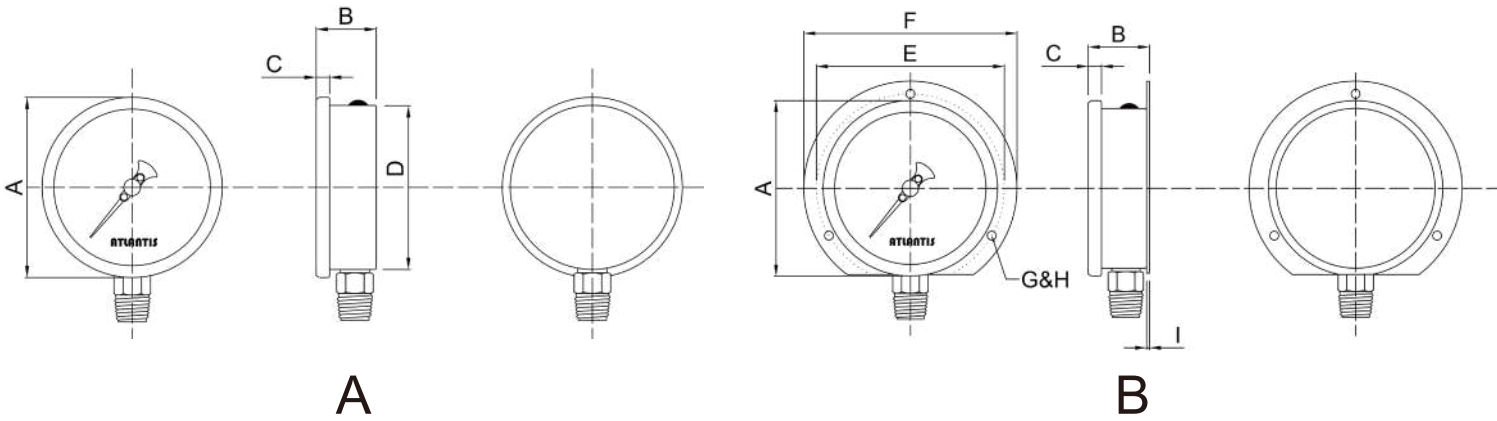


Due to the variety of customization, the picture is only for reference, please confirm the actual item with our sales. (If there is any change on specification, please take the latest version as standard.)

### Features

- OEM service
- Sealing connection with O-ring
- Dampened movement - specially design for shockproof environment
- Suitable for use no oil environment with shockproof requirement

Installation type



Installation type	4"	6"
A	●	●
B	●	●
BDE	●	●
UDE		●

## How to order

SP-SC Stainless Steel Case Shockproof Pressure Gauge										
Std.	Spec.	Code	Item	Code	Item	Code	Item	Code	Item	
04	Size	04	4"	06	6"	–	–	–	–	
A	Installation type	A	Bottom mount	B	Bottom mount with flange	BDE	Back mount (Eccentric thread)	UDE	Back mount with U-Clamp (Eccentric thread)	
C	Pressure connection	C	Copper alloy	SS	Stainless steel	O	Others	–	–	
T	Glass	T	Tempered glass	S	Safety glass	–	–	–	–	
C	Bourdon tube material	C	Copper alloy	O	Others	–	–	–	–	
2	Thread size	2	1/4"	3	3/8"	4	1/2"	–	–	
N	Thread type	P	BSPT	N	NPT	F	PF	O	Others	
Custom	Pressure range	Gauge pressure – (0...1 to 350bar) Negative pressure – (-1...0bar) Compound pressure – (-1...0...1 to 20bar) Customized pressure unit (psi, bar, kPa, kg/cm <sup>2</sup> , MPa, inHg, mmHg, cmHg, etc...), single / dual scale								
A	Accuracy	A	±2.5%F.S.	B	±1.6% F.S.	C	±1.0% F.S.	–	–	
54	Protection level	54	IP54	65	IP65	–	–	–	–	
/B	Other requests	/A	Third party notarized document			/B	Inspection report			
		/C	Tag			/D	Customized dial face (scale, colors, unit, etc.)			
		/E	Install a diaphragm seal			/F	Internal stop pin for overpressure protection			
		/G	Epoxy coating			/H	Window – Safety glass			
		/I	Peak hold pointer			/J	Indicator (red, green, yellow)			
		/K	Case material SS316			/L	Window sealed with silicone rubber			
		/M	Chrome-plated thread			/N	Adjustable pointer			

Order example: SP-SC - 04 - A - C - T - C - 2 - N - (0...0.6 to 10bar) - A - 54 - /B