

**Main specifications**

## ▼ Dial face

4.5"

## ▼ Installation type

Bottom mount (A) /

Bottom mount with flange (B)

## ▼ Window

Safety glass / Acrylic

With O-ring sealed

## ▼ Pressure connection

Material: SS304

With O-ring sealed

Size: 1/4" ,1/2"

Type: BSPT, NPT, PF

Other thread specs please specify before order

## ▼ Pressure range

Gauge pressure ▼

0...0.6 to 1600bar

Negative pressure ▼

-1...0 bar

Compound pressure ▼

-1...0 to 20bar

## ▼ Applicable fluid

Liquid and gas that compatible with connection's material

## ▼ Ambient temperature

-40°C to +80°C

## ▼ Fluid temperature

+125°C

## ▼ Temperature drift

Every 12°C

max. error ±0.3% F.S

## ▼ Protection level

IP54

**Other specifications**

## ▼ Ring

Material: phenolic resin

Solid front design (removable)

## ▼ Case

Material: phenolic resin

## ▼ Pointer

Aluminum with black enamel

Adjustable pointer

## ▼ Dial face

Red &amp; black scale

Other pressure unit, scale &amp;

color available upon request

## ▼ Measuring elements

Bourdon tube

Material: SS304

## ▼ Additional protection (option)

Explosion-proof gasket

## ▼ Movement

Material: stainless steel

With internal stop pin

## ▼ Accuracy

±1.0%F.S.

±0.5%F.S. (option)

## ▼ Operating pressure

Stabilization 1\* full scale

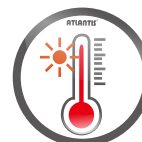
Fluctuation 0.8\* full scale

Impulse 1.2\* full scale

## Solid Front Pressure Gauge (Phenolic Resin Type) Model: SFPC

### Introduction

SFPC pressure gauge adopts special material phenolic resin. Its solid front design ensures operator's safety makes it suitable for industrial environment needs high safety standard.

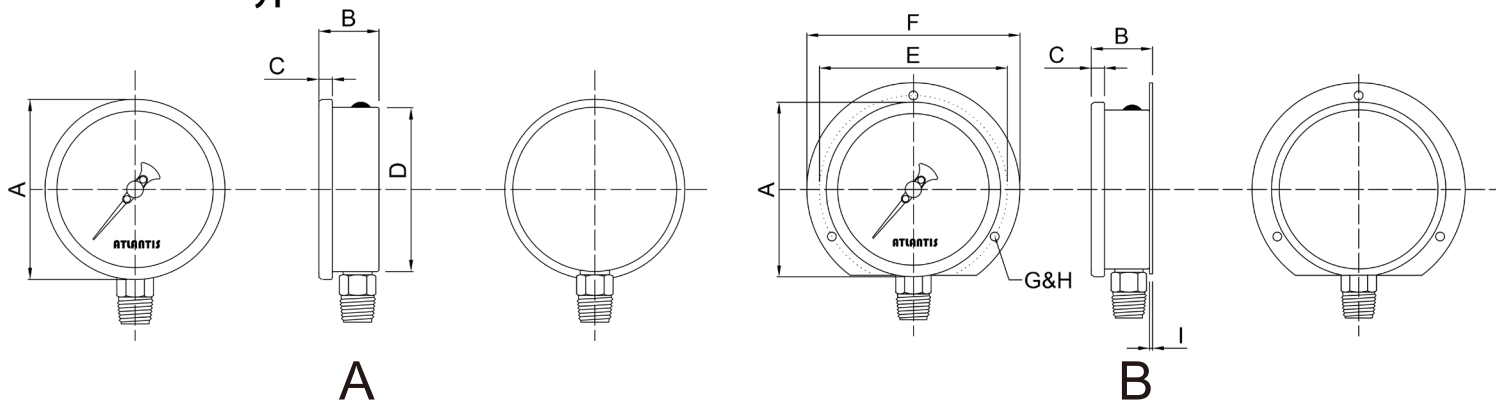


Due to the variety of customization, the picture is only for reference, please confirm the actual item with our sales. (If there is any change on specification, please take the latest version as standard.)

### Features

- OEM service
- Phenolic resin material is adopted
- Solid front design ensures safety operation
- Accuracy ±1.0%F.S.

### Installation type



### How to order

**SFPC Solid Front Pressure Gauge (Phenolic Resin Type)**

| Std.   | Specifications        | Code  | Item           | Code | Item                     | Code | Item                    | Code | Item |
|--------|-----------------------|---|----------------|------|--------------------------|------|-------------------------|------|------|
| B      | Installation type     | A   | Bottom mount   | B    | Bottom mount with flange | -    | -                       | -    | -    |
| 304    | Connection material   | 304   | SS304          | 316  | SS316                    | O    | Others (please specify) | -    | -    |
| 304    | Bourdon tube material | 304   | SS304          | 316  | SS316                    | O    | Others (please specify) | -    | -    |
| 4      | Thread size           | 2   | 1/4"           | 4    | 1/2"                     | -    | -                       | -    | -    |
| N      | Thread spec.          | P   | BSPT           | N    | NPT                      | O    | Others (please specify) | -    | -    |
| G      | Pressure type         | G   | Gauge pressure | V    | Negative pressure        | C    | Compound pressure       | -    | -    |
| 10     | Accuracy              | 10  | ±1.0%F.S.      | 05   | ±0.5%F.S.                | -    | -                       | -    | -    |
| Custom | Pressure range        | Gauge pressure - (0...0.6 to 1600bar)<br>Negative pressure - (-1bar...0bar)<br>Compound pressure - (-1...0 to 100bar)<br>Customized pressure unit (psi, bar, kPa, kg/cm <sup>2</sup> , MPa, inHg, mmHg, cmHg, etc...) (Single / dual scale) |                |      |                          |      |                         |      |      |

|    |                |    |  |
|----|----------------|----|--|
| /B | Other requests | /A | Third party notarized report                           |
|    |                | /B | Inspection report                                      |
|    |                | /C | Tag  |
|    |                | /D | Customized dial face (scale, color, unit, etc.)        |
|    |                | /E | Install a diaphragm seal                               |
|    |                | /F | Peak hold pointer                                      |
|    |                | /G | Window - acrylic                                       |
|    |                | /H | Dampened movement / oil cup for use no oil environment |
|    |                | /I | Silicone rubber O-ring                                 |
|    |                | /J | Epoxy coating  |
|    |                | /K | Protection level IP65                                  |
|    |                | /L | Explosion-proof gasket                                 |

Order example: SFPC - B - 304 - 304 - 4 - N - G - 10 - (0...0.6 to 60bar) + /B