

## Main Specifications

## ▼Size

4" ,6"

## ▼Window

Safety glass

O-ring seal

## ▼Installation type

Bottom mount (A) /

Bottom mount with back flange(B) /

Back mount (Eccentric thread) (ADE) /

Back mount with front flange

(Eccentric thread) (BDE)

## ▼Pressure connection

Material: SS304

Welding treatment / O-ring seal

Thread size: 1/2"

Thread type : BSPT, NPT, PF

Other thread specifications need

to be customized

## ▼Pressure range

Gauge pressure ▼

0...0.6 to 1000bar

Compound pressure ▼

-1...0bar

Negative pressure ▼

-1...0 to 20bar

## ▼Applicable fluid

Liquid and gas that compatible  
with stainless steel 304

## ▼Filling fluid

Glycerin, Silicone oil

## ▼Ambient temperature

Dry, Glycerin-filled: -40°C~60°C

Glycerin-filled : -20°C~60°C

## ▼Media temperature

Dry: +120°C

Glycerin: +100°C

Silicone oil: +200°C

## ▼Temperature effect

Maxmum error of  $\pm 0.3\%$  F.S. for  
every 12°C

## ▼Protection level

IP54 (Standard) / IP65 (Option)

## Other Specifications

## ▼Case

Stainless steel

Screw-on type (internal card)

## ▼Housing

SS304

## ▼Pointer

Aluminum with black enamel

## ▼Dial face

Blue and black scale

## ▼Measuring elements

Bourdon tube

Material : SS316L / Monel

400

## ▼Protection design

Explosion-proof

glass+Explosion-proof  
partition

## ▼Movement

Stainless steel

## ▼Accuracy

 $\pm 1.0\%$ F.S.

## ▼Operating pressure

Stabilization 3/4\* full scale

Fluctuation 2/3\* full scale

Impulse 1\* full scale

## Safety Type Stainless Steel Pressure Gauge (Explosion- proof Diaphragm Type) Model: SFBO-SUS

### Introduction

Featuring an explosion-proof design, and explosion-proof guard plate is installed at the front to enhance safety performance. The Baden tube measurement system can direct the accumulated internal energy to the back of the pressure gauge explosion-proof plate, ensuring the safety of the operators.



Due to the variety of customization, the picture is only for reference, please confirm the actual item with our sales. (If there is any change on specification, please take the latest version as standard.)



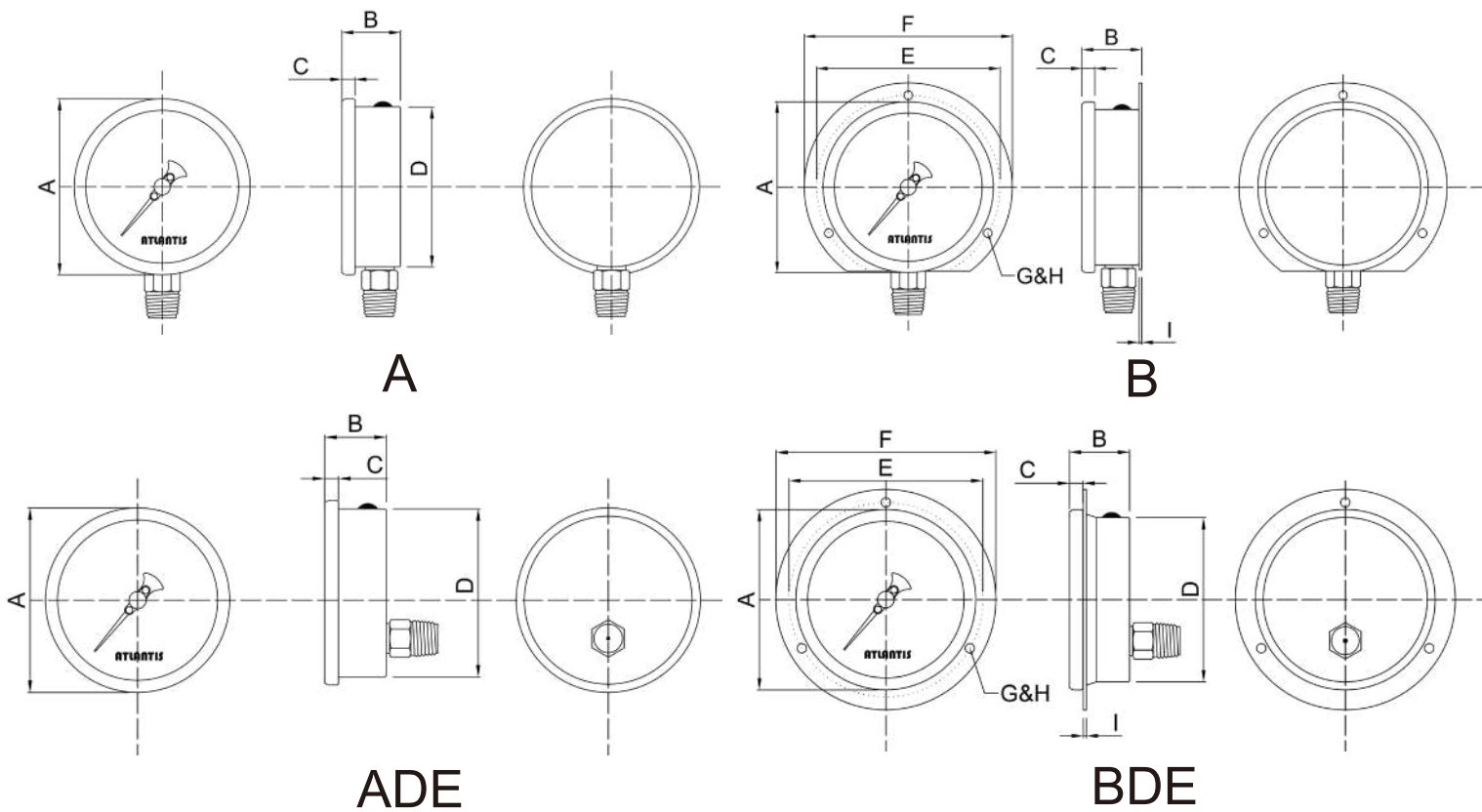
### Features

- OEM Service
- Specifically designed for industrial safety applications
- Panel has a baffle underneath, with overvoltage pop-out design to enhance safety level
- Welding at the joint, with fluid temperature reaching up to 200°C
- Made of all Stainless steel
- Accuracy of  $\pm 1.0\%$ F.S.

### Size-Installation type table

Installation type	4"	6"
A	●	●
B	●	●
ADE	●	●
BDE	●	●

### Installation type



## How to Order

SFBO-SUS Safety Type Stainless Steel Pressure Gauge (Explosion-proof Diaphragm Type)										
Std.	Spec.	Code	Item	Code	Item	Code	Item	Code	Item	
04	Size	04	4"	06	6"	–	–	–	–	
A	Type	A	Bottom mount	B	Bottom mount with back flange	ADE	Back mount (Eccentric thread)	BDE	Back mount with front flange (Eccentric thread)	
304	Pressure connection	304	SS304	O	Others	–	–	–	–	
316L	Bourdon tube	316L	SS316L	M	Monel 400	O	Others	–	–	
4P	Thread size	4P	1/2" PT	4N	1/2" NPT	4F	1/2" PF	O	Others	
O	Liquid-filling	L	Glycerin	S	Silicone oil	O	Dry	–	–	
Custom	Pressure range	Gauge pressure – (0…0.6 to 400bar) Compound pressure – (-1…0bar) Negative pressure – (-1…0 to 20bar) Custom pressure unit scale (psi, bar, kPa, kg/cm <sup>2</sup> , MPa, inHg, mmHg, cmHg, etc…), single / dual scale								
/B	Other requests	/A	Third party notarized documents			/B	Inspection report			
		/C	Tag			/D	Customized dial face (scale, color, unit, etc.)			
		/E	Case SS316			/F	Shockproof movement, oil cup (suitable for non-lubricated working environment)			
		/G	Diaphragm installation			/H	Epoxy coating			
		/I	Internal pressure gauge (overpressure protection)			/J	IP65 protection level			
		/K	Continuation part welding treatment			/L	Continuation part rubber O-ring seal			
		/M	Fine adjustment needle			/N	Indicator button (red, green, yellow)			
		/O	Special needle - fine twist needle			/P	Two-piece flange (adjustable linear distance 34mm)			

Order example: SFBO-SUS - 04 - A - 304 - 316L - 4P - O - (0…1 to 10bar) - /B