

Main Specifications

▼ Size

4" , 6"

▼ Window

Safety glass, O-ring sealed

▼ Installation type

Bottom mount (A) /

Bottom mount with flange (B) /

Back mount (Eccentric thread) (ADE) /

Back mount with flange

(Eccentric thread) (BDE) /

Back mount with U-Clamp

(Eccentric thread) (UDE) /

Back mount with flange and

U-Clamp (Eccentric thread) (UBDE)

▼ Pressure connection

Material: SS316

Welded connection /

O-ring sealed

Thread size:

1/4" , 3/8" , 1/2"

Thread type:

BSPT, NPT, PF

Other thread specification are available upon request

▼ Pressure range

Gauge pressure ▼

0...0.6 to 1000bar

Negative pressure ▼

-1...0bar

Compound pressure ▼

-1...0 to 20bar

▼ Applicable fluid

Liquid and gas that compatible with stainless steel

▼ Liquid-filling

Glycerin / Silicone oil

▼ Ambient temperature

Dry, silicone oil: -40°C to +60°C

Glycerin: +10°C to +60°C

▼ Fluid temperature

Dry: +120°C

Glycerin: +100°C

Silicone oil: +200°C

▼ Temperature drift

Every ±12°C

max. error: ±0.3%F.S.

▼ Protection level

IP54 (Standard) / IP65 (Option)

Other Specifications

▼ Ring

Stainless steel

▼ Ring mount

Inside bayonet

(Option: Outside bayonet)

▼ Case

SS304

▼ Pointer

Aluminum with black enamel

▼ Dial face

Blue and black scale

Pressure unit, scale, & color can be customized

▼ Measuring elements

Bourdon tube

Material: SS316

▼ Protection design

Blow-out back

▼ Movement

Stainless steel

▼ Accuracy

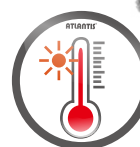
±1.0%F.S.

▼ Operating pressure

Stabilization 3/4* full scale

Fluctuation 2/3* full scale

Impulse 1* full scale

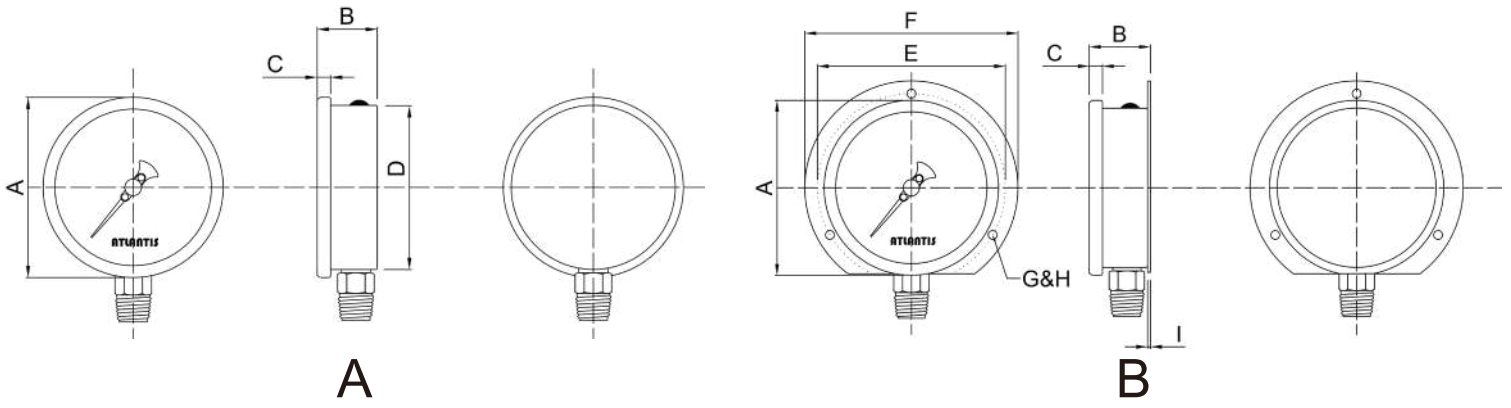
All Stainless Steel Safe Pattern Pressure Gauge (with Blow-Out Back)**Model: SF-SUS**

Due to the variety of customization, the picture is only for reference, please confirm the actual item with our sales. (If there is any change on specification, please take the latest version as standard.)

Feature

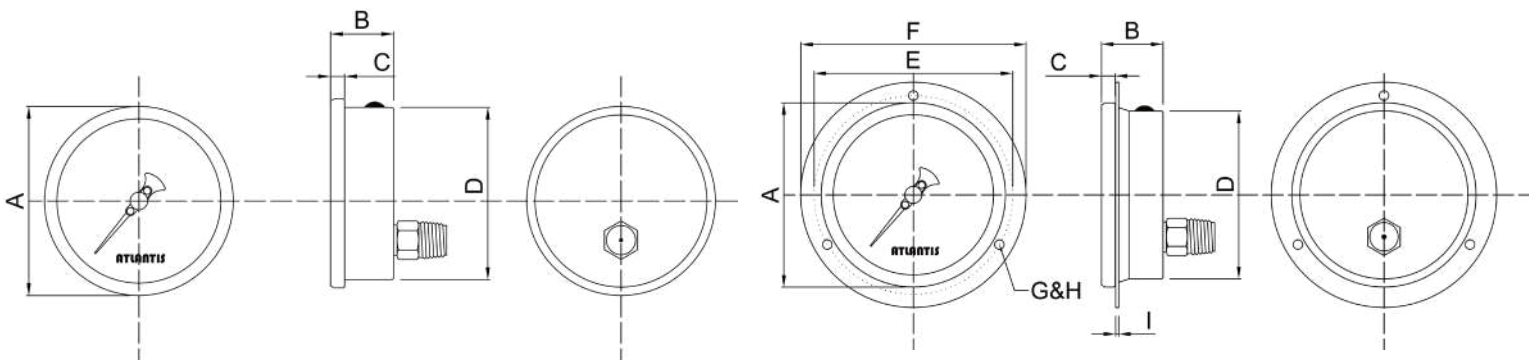
- OEM service
- Welded connection, maximum fluid temperature can up to 200°C
- All stainless steel material
- Install a blow-out back, specially design for industrial applications
- Accuracy ± 1.0%F.S.
- Long service life





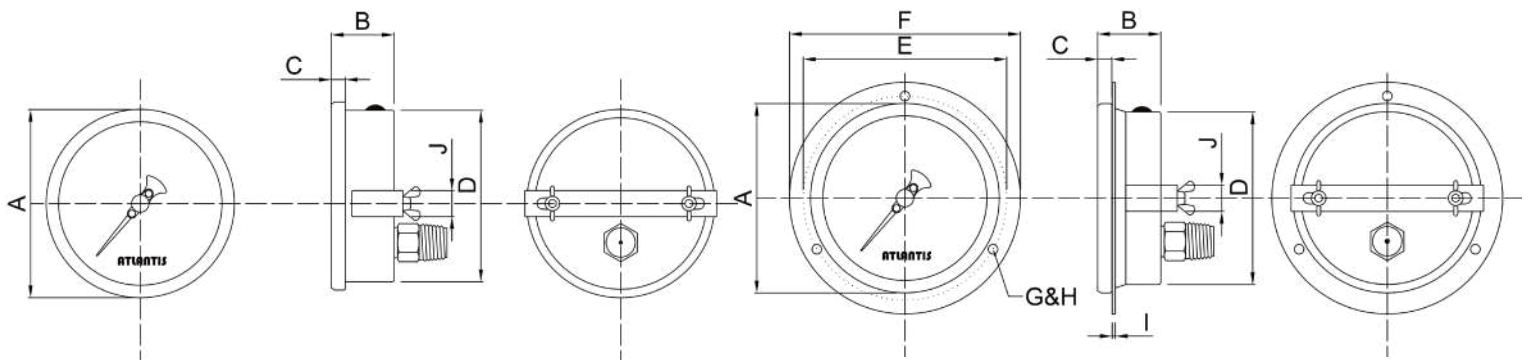
A

B



ADE

BDE



UDE

UBDE

Installation type	4"	6"
A	●	●
B	●	●
ADE	●	●
BDE	●	●
UDE	●	●
UBDE	●	●

How to order

SF-SUS All Stainless Steel Safety Pattern Pressure Gauge												
Std.	Spec.	Code	Item	Code	Item	Code	Item	Code	Item	Code	Item	
04	Size	04	4"	06	6"	-	-	-	-	-	-	
A	Installation type	A	Bottom mount	B	Bottom mount with flange	ADE	Back mount (Eccentric thread)	BDE	Back mount with flange (Eccentric thread)	UDE	Back mount with U-Clamp (Eccentric thread)	
		UBDE	Back mount with flange and U-Clamp (Eccentric thread)	-	-	-	-	-	-	-	-	
316	Material of pressure connection	316	SS316	O	Others	-	-	-	-	-	-	
316	Material of Bourdon tube	316	SS316	M	Monel 400	O	Others	-	-	-	-	
4	Thread size	2	1/4"	3	3/8"	4	1/2"	-	-	-	-	
N	Thread type	P	BSPT	N	NPT	F	PF	O	Others	-	-	
N	Liquid-filling	N	Dry	L	Glycerin	S	Silicone oil	O	Others	-	-	
IB	Ring mount	IB	Inside bayonet	OB	Outside bayonet	-	-	-	-	-	-	
Custom	Pressure range	Gauge pressure: 0...0.6 to 1000bar Negative pressure: -1...0bar Compound pressure: -1...0 to 20bar Pressure unit (Dial face scale): kg/cm ² , bar, psi, Pa, kPa, MPa, atm (Special unit and single/dual scale can be customized)										
/D	Other requests	/A	Third party notarized documents				/B	Inspection report				
		/C	Tag				/D	Customized dial face (scale, color, unit, etc.)				
		/E	Case material - SS316				/F	Dampened movement / oil cup				
		/G	Install a diaphragm seal				/H	Epoxy coating				
		/I	Internal stop pin (Over-pressure protection)				/J	Protection level IP65				
		/K	Welded connection				/L	Rubber O-ring sealed				
		/M	Adjustable pointer				/N	Indicator (Red, green, yellow)				
		/O	2-in-1 flange (Adjustable lineal distance 34mm)				-	-				

Order example: SF-SUS - 04 - A - 316 - 316 - 4 - N - N - IB - (0...1 to 10bar) - /B