

Main Specifications

- ▼ **Size**
4" ,6"
- ▼ **Installation type**
Bottom mount (A) /
Bottom mount with flange (B) /
Back mount (eccentric thread) (ADE) /
Back mount with flange
(eccentric thread) (BDE) /
Back mount with U-Clamp
(Eccentric thread) (UDE) /
Back mount with flange and
U-Clamp (Eccentric thread) (UBDE)
- ▼ **Window**
Safety glass
Rubber O-ring sealed
- ▼ **Pressure connection**
Material: copper alloy
Rubber O-ring sealed
Size: 1/4" , 3/8" , 1/2"
Type: BSPT, NPT, PF
Other thread specifications
please specify before order
- ▼ **Pressure range**
Gauge pressure ▼
0...1 to 350 bar
Negative pressure ▼
-1...0 bar
Compound ▼
-1...0 to 20 bar
- ▼ **Applicable fluid**
Liquid and gas that compatible
with copper alloy
- ▼ **Ambient temperature**
Dry & Silicone oil filled
-40°C to +60°C
Glycerin filled
-20°C to +60°C
- ▼ **Fluid temperature**
+60°C
- ▼ **Temperature drift**
Every ±12 °C
max. error: ±0.3% F.S
- ▼ **Protection level**
IP54 (standard) / IP65 (option)

Other Specifications

- ▼ **Ring**
Stainless steel
- ▼ **Ring mount**
Inside bayonet
- ▼ **Case**
SS304
- ▼ **Pointer**
Aluminum with black enamel
- ▼ **Dial face**
Blue and black scale
Pressure unit, scale & color can
be customized upon request
- ▼ **Measuring elements**
Bourdon tube
Material: copper alloy
- ▼ **Safety design**
Blow-out back
- ▼ **Movement**
Copper alloy
- ▼ **Accuracy**
±3.0%F.S.
- ▼ **Operating pressure**
Stabilization: 3/4* full scale
Fluctuation: 2/3* full scale
Impulse: 1* full scale

**Stainless Steel Case
Safety Pattern Pressure Gauge
Model: SF-SC**



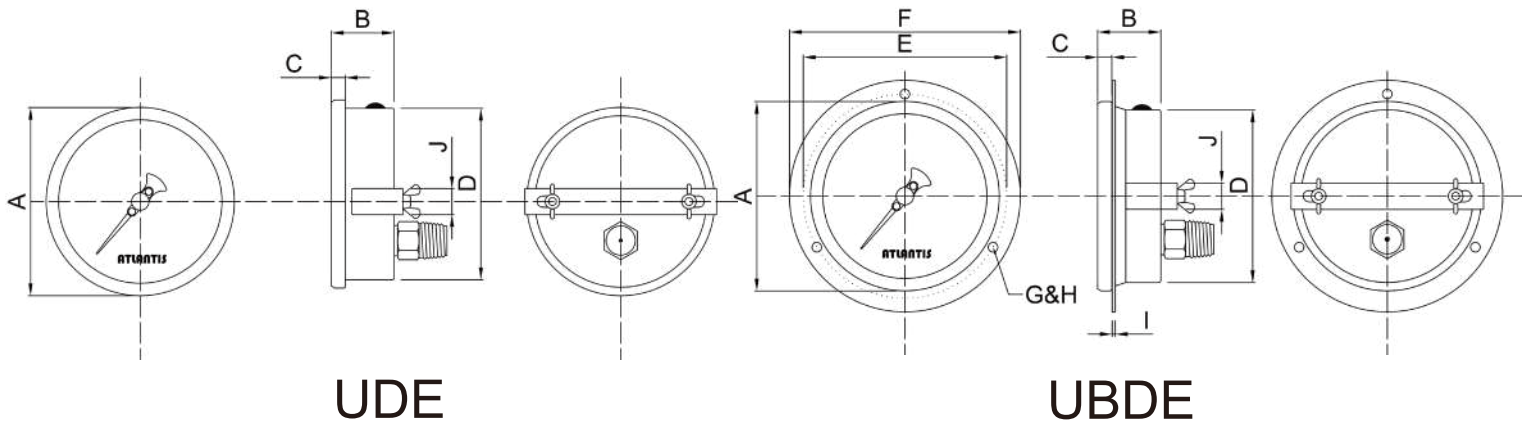
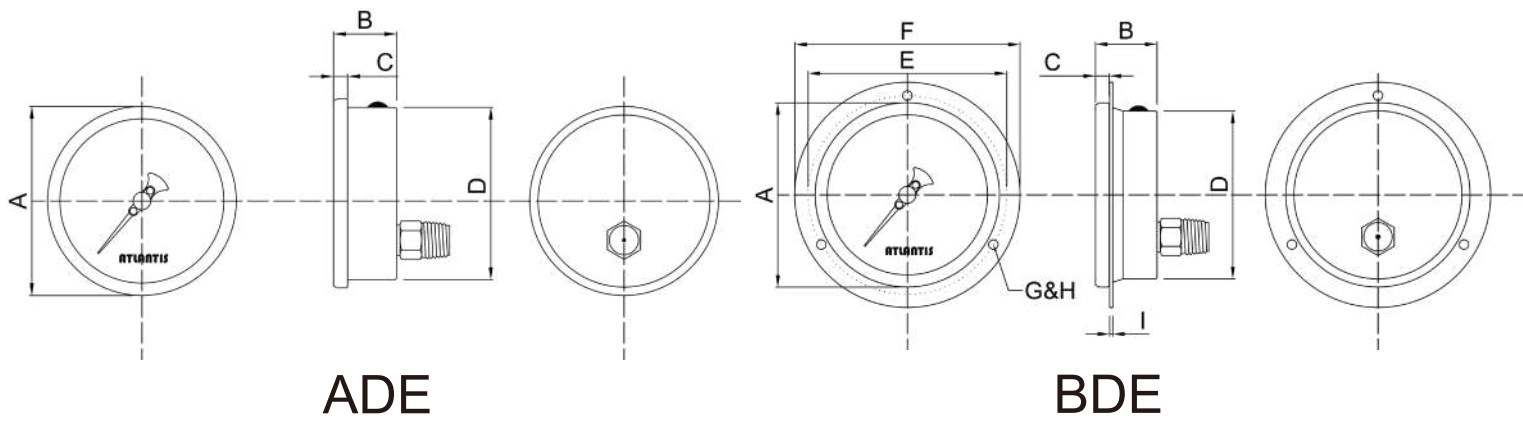
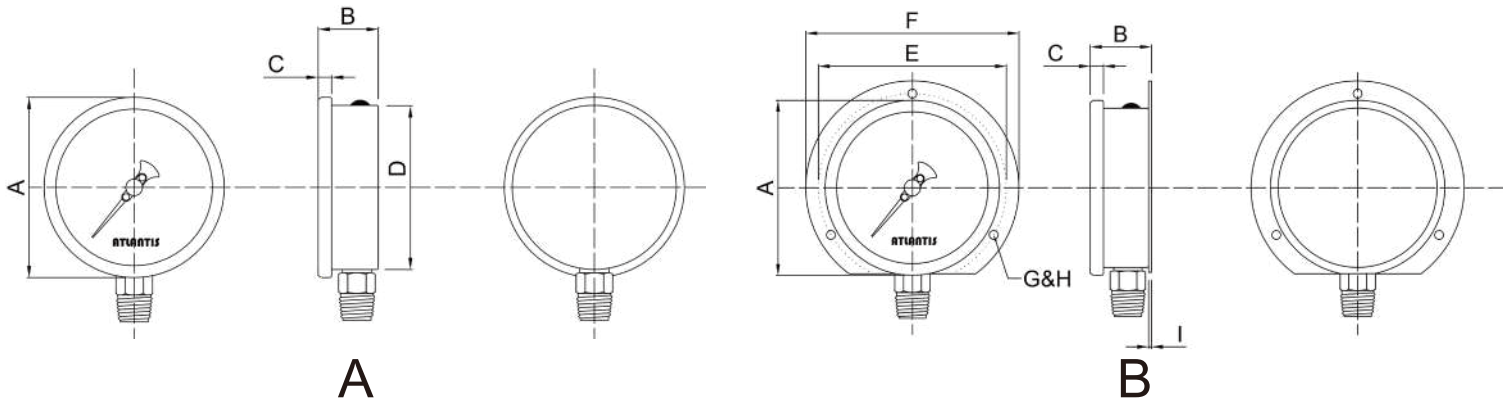
Due to the variety of customization, the picture is only for reference, please confirm the actual item with our sales. (If there is any change on specification, please take the latest version as standard.)

Features

- OEM service
- Stainless steel case design
- Install a blow-out back, specially design for industrial applications
- Sealing connection with O-ring
- Long service life

Installation type	4"	6"
A	●	●
B	●	●
ADE	●	●
BDE	●	●
UDE	●	●
UBDE	●	●

安装型式



How to order

SF-SC Stainless Steel Case Safety Pattern Pressure Gauge										
Std.	Spec.	Code	Item	Code	Item	Code	Item	Code	Item	
04	Size	04	4"	06	6"	-	-	-	-	
A	Installation type	A	Bottom mount	B	Bottom mount with flange	ADE	Back mount (Eccentric thread)	BDE	Back mount with flange (Eccentric thread)	
		UDE	Back mount with U-Clamp	UBDE	Back mount with flange and U-Clamp	-	-	-	-	
B	Connection material	B	Copper alloy	O	Others (please specify)	-	-	-	-	
B	Bourdon tube material	B	Copper alloy	O	Others (please specify)	-	-	-	-	
4	Thread size	2	1/4"	3	3/8"	4	1/2"	-	-	
N	Thread spec.	P	BSPT	N	NPT	F	PF	O	Others (please specify)	
O	Liquid-filling	L	Glycerin	S	Silicone oil	O	Dry	-	-	
Custom	Pressure range	Gauge pressure: 0...1 to 350 bar Vacuum pressure: -1...0 bar Compound pressure: -1...0 to 20 bar Pressure unit on dial face: kg/cm ² , bar, psi, Pa, kPa, MPa, atm (Other pressure unit / dual scale are available upon request)								
/B	Other requests	/A	Third party notarized documents			/B	Inspection report			
		/C	Tag			/D	Customized dial face (scale, color, unit, etc.)			
		/E	Case material SS316			/F	Dampened movement / oil cup			
		/G	Install a diaphragm seal			/H	Epoxy coating			
		/I	Internal stop pin for overpressure protection			/J	Protection level IP65			
		/K	Thread - chrome plating			/L	Indicator (red / green / yellow)			
		/M	Adjustable pointer			/N	Bourdon tube sliver solder welding			
		/O	Knife edge pointer			/P	O-ring material - silicone rubber			

Order example: SF-SC - 04 - A - B - B - 4 - N - O - (0...1 to 10bar) - /B