

## Main Specifications

## ▼ Size

4" ,6"

## ▼ Installation type

Bottom mount (A) /

Bottom mount with flange (B) /

Back mount (eccentric thread) (ADE) /

Back mount with flange

(eccentric thread) (BDE) /

Back mount with U-Clamp

(Eccentric thread) (UDE) /

Back mount with flange and

U-Clamp (Eccentric thread) (UBDE)

## ▼ Window

Safety glass

Rubber O-ring sealed

## ▼ Pressure connection

Material: copper alloy

Rubber O-ring sealed

Size: 1/4" ,3/8" ,1/2"

Type: BSPT, NPT, PF

Other thread specifications

please specify before order

## ▼ Pressure range

Gauge pressure ▼

0...1 to 350bar

Negative pressure ▼

-1...0bar

Compound ▼

-1...0 to 20bar

## ▼ Applicable fluid

Liquid and gas that compatible  
with copper alloy

## ▼ Ambient temperature

Dry &amp; Silicone oil filled

-40°C to +60°C

Glycerin filled

-20°C to +60°C

## ▼ Fluid temperature

+60°C

## ▼ Temperature drift

Every ±12 °C

max. error: ±0.3% F.S

## ▼ Protection level

IP54 (standard) / IP65 (option)

## Other Specifications

## ▼ Ring

Stainless steel

## ▼ Ring mount

Inside bayonet

## ▼ Case

SS304

## ▼ Pointer

Aluminum with black enamel

## ▼ Dial face

Blue and black scale

Pressure unit, scale & color can  
be customized upon request

## ▼ Measuring elements

Bourdon tube

Material: copper alloy

## ▼ Safety design

Blow-out back

## ▼ Movement

Copper alloy

## ▼ Accuracy

3%

## ▼ Operating pressure

Stabilization: 3/4\* full scale

Fluctuation: 2/3\* full scale

Impulse: 1\* full scale

## Stainless Steel Case

### Safety Pattern Pressure Gauge

#### Model: SF-SC

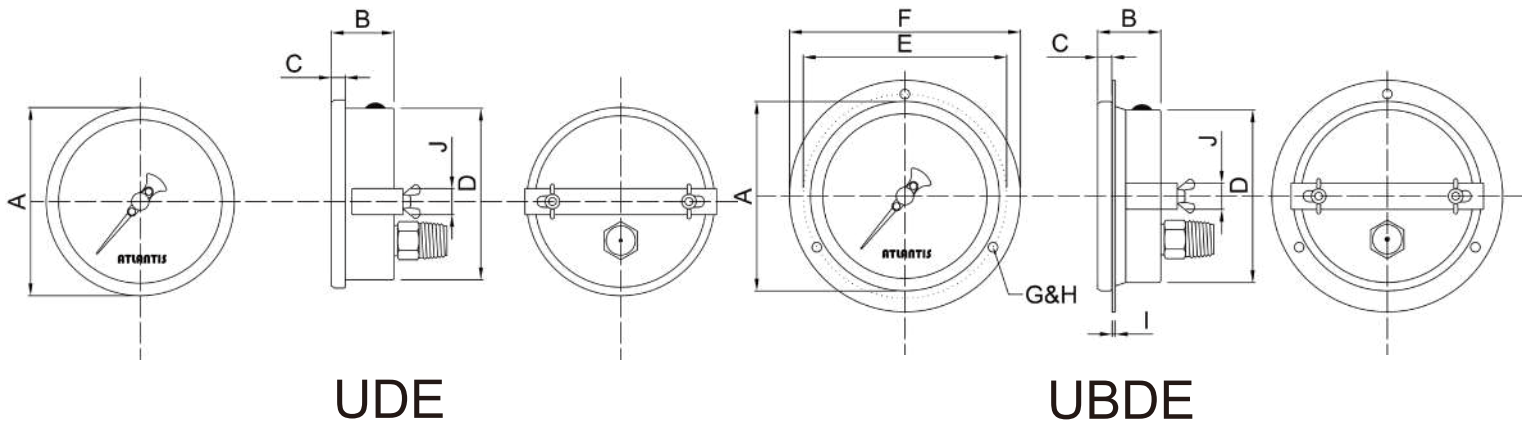
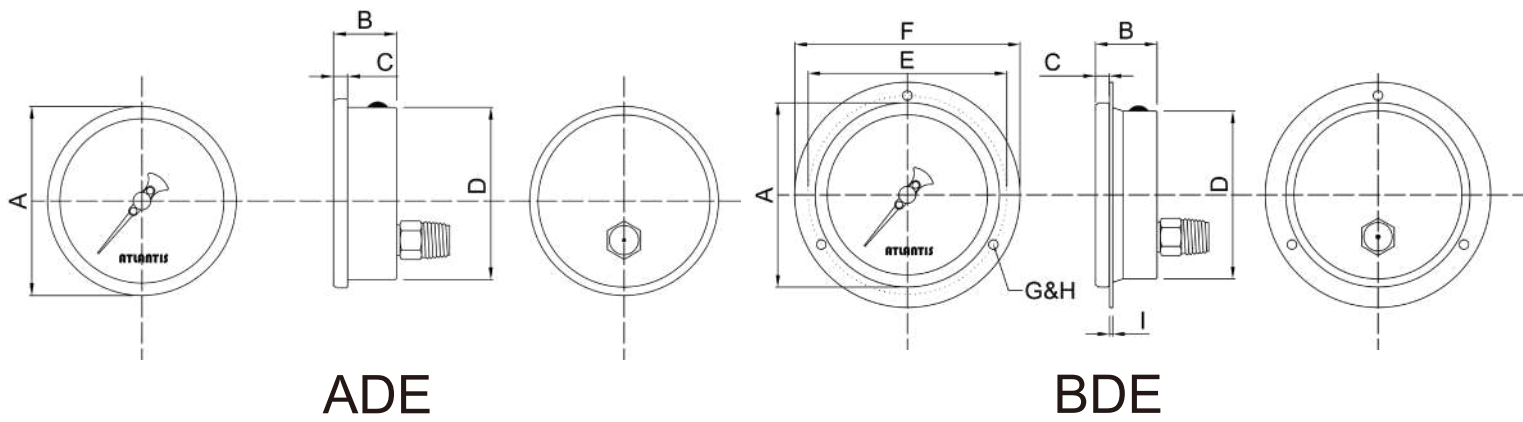
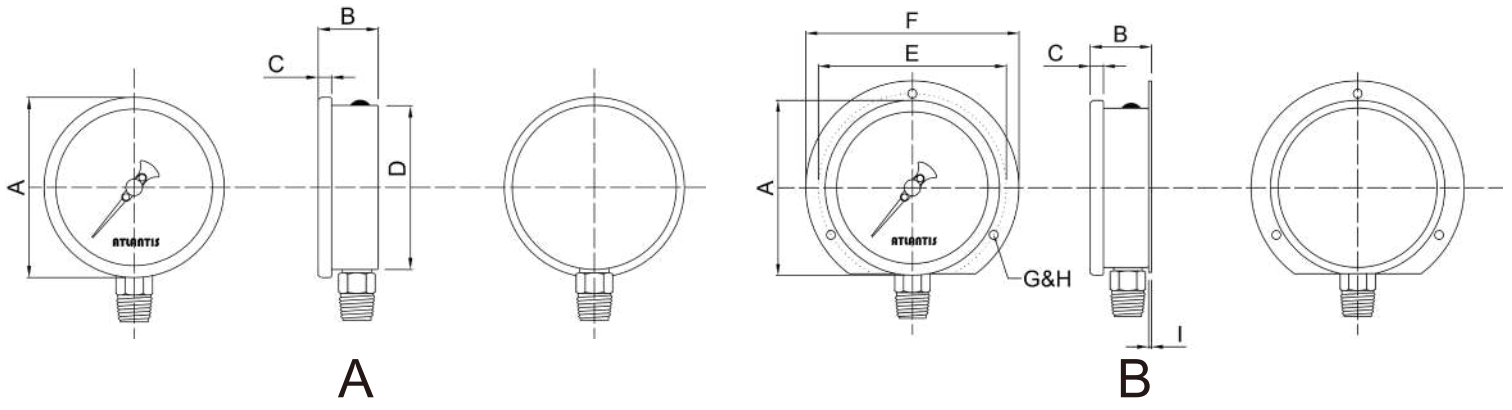


Due to the variety of customization, the picture is only for reference, please confirm the actual item with our sales. (If there is any change on specification, please take the latest version as standard.)

## Features

- OEM service
- Stainless steel case design
- Install a blow-out back, specially design for industrial applications
- Sealing connection with O-ring
- Long service life

安装型式



Installation type	4"	6"
A	●	●
B	●	●
ADE	●	●
BDE	●	●
UDE	●	●
UBDE	●	●

## How to order

SF-SC Stainless Steel Case Safety Pattern Pressure Gauge										
Std.	Spec.	Code	Item	Code	Item	Code	Item	Code	Item	
04	Size	04	4"	06	6"	-	-	-	-	
A	Installation type	A	Bottom mount	B	Bottom mount with flange	ADE	Back mount (Eccentric thread)	BDE	Back mount with flange (Eccentric thread)	
		UDE	Back mount with U-Clamp	UBDE	Back mount with flange and U-Clamp	-	-	-	-	
B	Connection material	B	Copper alloy	O	Others (please specify)	-	-	-	-	
B	Bourdon tube material	B	Copper alloy	O	Others (please specify)	-	-	-	-	
4	Thread size	2	1/4"	3	3/8"	4	1/2"	-	-	
N	Thread spec.	P	BSPT	N	NPT	F	PF	O	Others (please specify)	
G	Pressure type	G	Gauge pressure	V	Vacuum pressure	CP	Compound pressure	-	-	
O	Liquid-filling	L	Glycerin	S	Silicone oil	O	Dry	-	-	
Custom	Pressure range	Gauge pressure: 0...1 to 350bar Vacuum pressure: -1...0bar Compound pressure: -1...0 to 20bar Pressure unit on dial face: kg/cm <sup>2</sup> , bar, psi, Pa, kPa, MPa, atm (Other pressure unit / dual scale are available upon request)								
/D	Other requests	/A	Third party notarized documents			/B	Inspection report			
		/C	Tag			/D	Customized dial face (scale, color, unit, etc.)			
		/E	Case material SS316			/F	Dampened movement / oil cup			
		/G	Install a diaphragm seal			/H	Epoxy coating			
		/I	Internal stop pin for overpressure protection			/J	Protection level IP65			
		/K	Thread - chrome plating			/L	Indicator (red / green / yellow)			
		/M	Adjustable pointer			/N	Bourdon tube sliver solder welding			
		/O	Knife edge pointer			/P	O-ring material - silicone rubber			

Order example: SF-SC - 04 - A - B - B - 4 - N - G - O - (0...1 to 10bar) + /D