

Main Specifications

▼ Pressure connection
Material: SS304
G1/4" (M) /
M14x1.5 /
1/4" NPT /
1/4" PT /
M12x1.5 /
7/16-20UF /
1/8" -27NPT

▼ Electrical connector
Hirschmann connector /
Cable outlet / Packard /
Aviation plug

▼ Sealing O-ring
NBR

▼ Pressure range
-100kPa...0~10kPa...100MPa

▼ Pressure type
Gauge pressure /
Sealed pressure /
Absolute pressure

▼ Applicable fluid
Liquid and gas that compatible
with SS304

▼ Ambient temperature
-20 to 85°C

▼ Storage temperature
-40 to 125°C

▼ Vibration resistance test
20g (20-5000Hz)

▼ Impact resistance test
100g (11ms)

▼ Protection level
IP 54 (Hirschmann connector)
IP 65 (Packard)
IP 67 (Aviation plug, cable outlet)

▼ Explosion-proof class (option)
Exia II CT6

Other Specifications

▼ Case
Stainless steel

▼ Power supply
24VDC / 12VDC / 5VDC

▼ Output signal
4~20mA /
1~5V /
0~5V /
0.5~4.5V

▼ Measuring elements
Piezoresistive silicone chip
Material: SS316L

▼ Zero & span drift
±1.5% F.S. max (@-10~70°C)

▼ Accuracy
0.5% F.S. (standard) /
0.3% F.S. (option) /
0.1% F.S. (option)

▼ Stability
±0.2% F.S. /year

▼ Response time
≤1ms
(pressure increased to 90%F.S.)

▼ Insulation resistance
100MΩ, 250VDC

▼ Temperature compensation
-10 to 70°C /
-20 to 85°C (option)

▼ Overpressure
1.5*F.S.

▼ EMC surge
(IEC61000-4-5) 2KV

▼ EMC discharge
(IEC61000-4-2)
Contact discharge 8KV
Air discharge 15KV

Mini Pressure Transmitter

Model: PT-S

Introduction

PT-S series mini pressure transmitter adopts piezoresistive silicone chip as measuring elements. The in-built circuit can transform mV signal into standard voltage and current output, which is suitable for using with computer, control equipment and display unit.



Due to the variety of customization, the picture is only for reference, please confirm the actual item with our sales. (If there is any change on specification, please take the latest version as standard.)

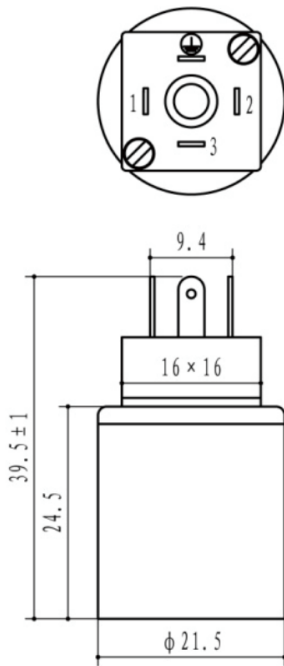
Typical measurement scale table

Gauge pressure		Sealed pressure		Absolute pressure	
Code	Range	Code	Range	Code	Range
G1	-100kPa~0	S1	0~10MPa	A1	0~0.1MPa
G2	0~10kPa	S2	0~20MPa	A2	0~0.2MPa
G3	0~20kPa	S3	0~25MPa	AO	Others
G4	0~50kPa	S4	0~40MPa		
G5	0~100kPa	S5	0~60MPa		
G6	0~200kPa	S6	0~80MPa		
G7	0~500kPa	S7	0~100MPa		
G8	0~1MPa	SO	Others		
G9	0~2MPa				
G10	0~5MPa				
G0	Others				

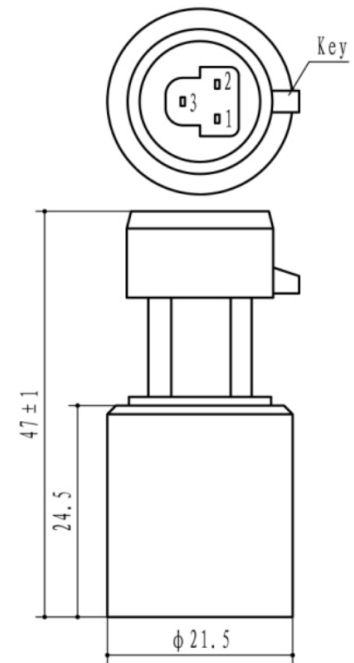
Features

- OEM service
- Compact structure design with affordable price, suitable for installing in limited space
- All stainless steel integrated design, easy installation
- Various electrical connections and thread types for selection
- Wide measurement range:
-100kPa...0...10kPa to 100MPa
- Anti-vibration, impact and corrosive
- Anti-high interference, long term stability
- Zero and span field calibration

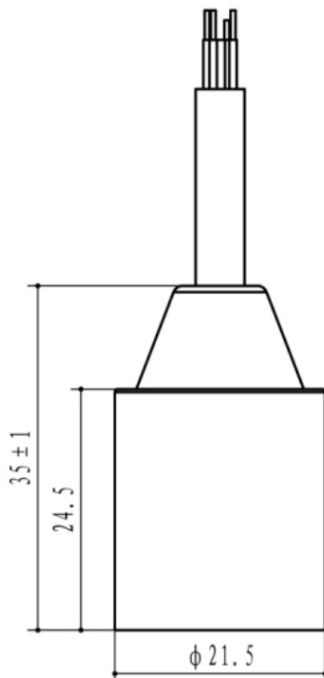
Electrical connector



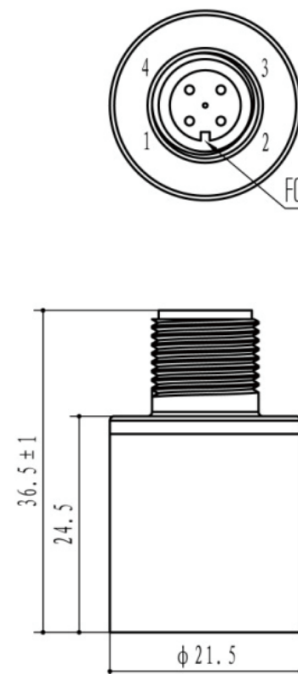
Hirschmann connector		
Current (two-wire)	Pin1	Power supply (+)
	Pin2	Current output
Voltage (three-wire)	Pin1	Power supply (+)
	Pin2	COM
	Pin3	Voltage output



Packard connector		
Current (two-wire)	Pin1	Power supply (+)
	Pin2	Current output
Voltage (three-wire)	Pin1	Power supply (+)
	Pin2	COM
	Pin3	Voltage output



Cable outlet		
Current (two-wire)	RED	Power supply (+)
	GREEN	Current output
Voltage (three-wire)	RED	Power supply (+)
	BLUE	COM
	YELLOW	Voltage output



Aviation plug		
Current (two-wire)	Pin1	Power supply (+)
	Pin2	Current output
Voltage (three-wire)	Pin1	Power supply (+)
	Pin2	COM
	Pin3	Voltage output

How to order

PT-S		Mini Pressure Transmitter					
Code	Pressure connection						
2G	G1/4"						
2N	NPT 1/4"						
2P	PT 1/4"						
M14	M14x1.5						
M12	M12x1.5						
UNF	7/16-20UNF						
1N	1/8" NPT						
O	Others (please specify)						
Code	Pressure measurement range						
G8	Please refer to typical measurement scale table and select code						
Code	Electrical connector						
H	Hirschmann connector						
C	Cable outlet						
P	Packard connector						
A	Aviation plug						
Code	Output signal						
S1	4-20mA						
S2	0-20mA						
S3	1 to 5V						
S4	0 to 5V						
S5	0.5~4.5V						
Code	Accuracy						
A	0.1%						
B	0.3%						
C	0.5%						
Code	Power supply						
24V	24VDC						
12V	12VDC						
5V	5VDC						
Code	Other requests						
/A	Third party notarized document						
/B	Inspection report						
/C	Tag						
/D	Install a display unit						
/E	Explosion-proof + certificate						
/F	Temperature compensation: -20 to 85°C						
/G	Add cable length (standard 1.5m)						
/H	Long-term pressure hold requirement						
/I	Adapt the other kind of threads						
PT-S	2N	G8	H	S1	C	24V	Order example: PT-S-2N-G8-H-S1-C-24V