

Main Specifications

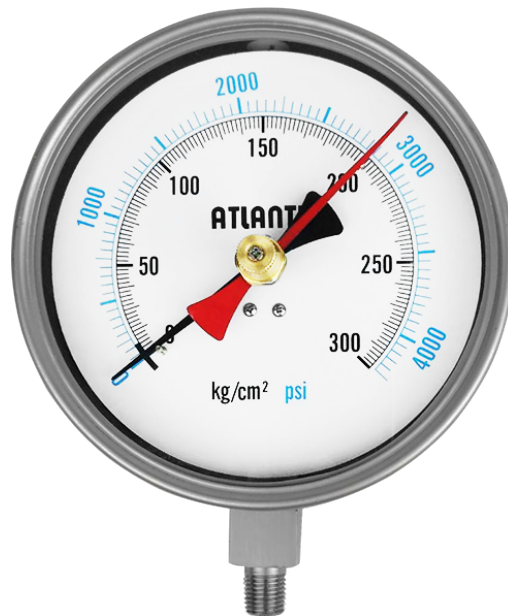
- ▼ **Size**
2.5" 4"
- ▼ **Installation type**
Bottom mount (A) /
Bottom mount with flange (B) /
Back mount (centric thread)
(ADC) /
Back mount with flange
(centric thread) (BDC) /
Back flange with flange
(eccentric thread) (BDE)
- ▼ **Window**
PC / Glass
O-ring sealed / PE gasket
- ▼ **Process connection**
Material:
Copper / Stainless steel
Thread size: 1/8" , 1/4" ,
3/8" , 1/2"
- Thread spec.: BSPT / NPT / PF
- ▼ **Ambient temperature**
-20°C to +60°C
- ▼ **Fluid temperature**
+60°C (Copper alloy type)
+100°C (Stainless steel type)
- ▼ **Protection level**
IP54 for dry type (Standard) /
IP65 for liquid-filled type
(Option)

Other Specifications

- ▼ **Ring**
Stainless steel
- ▼ **Pointer**
Aluminum with black enamel
- ▼ **Peak hold pointer**
Aluminum with black enamel /
Red plastic
- ▼ **Measuring elements**
Bourdon tube
Material:
Copper / Stainless steel
- ▼ **Accuracy**
Standard: ±1.6%
Option: ±1%

**Pressure Gauge with
Peak Hold Pointer
Model: PHPG
Introduction**

Peak hold pointer can indicate the peak pressure value, ensuring the safety management in field operation.

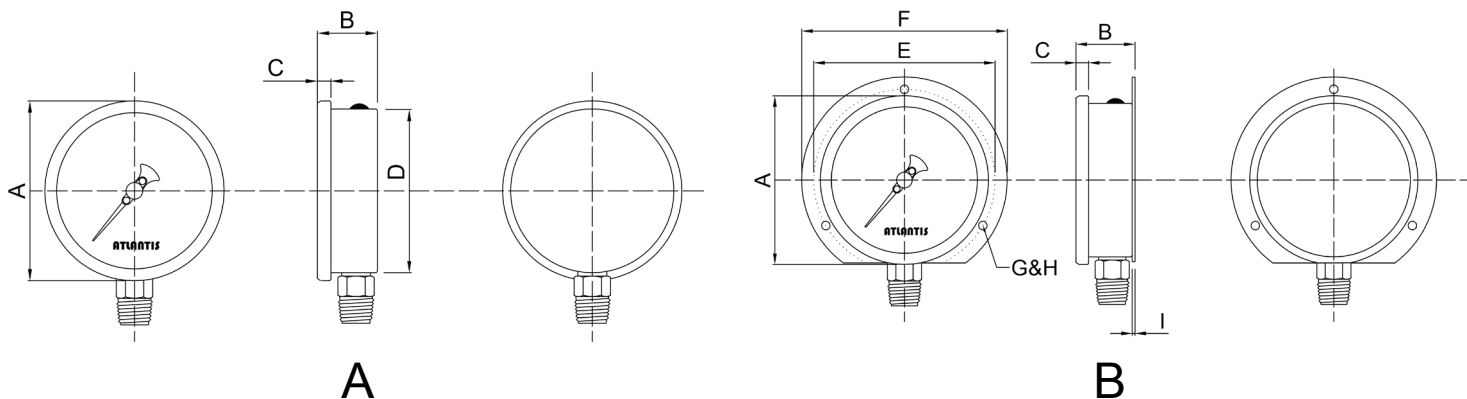


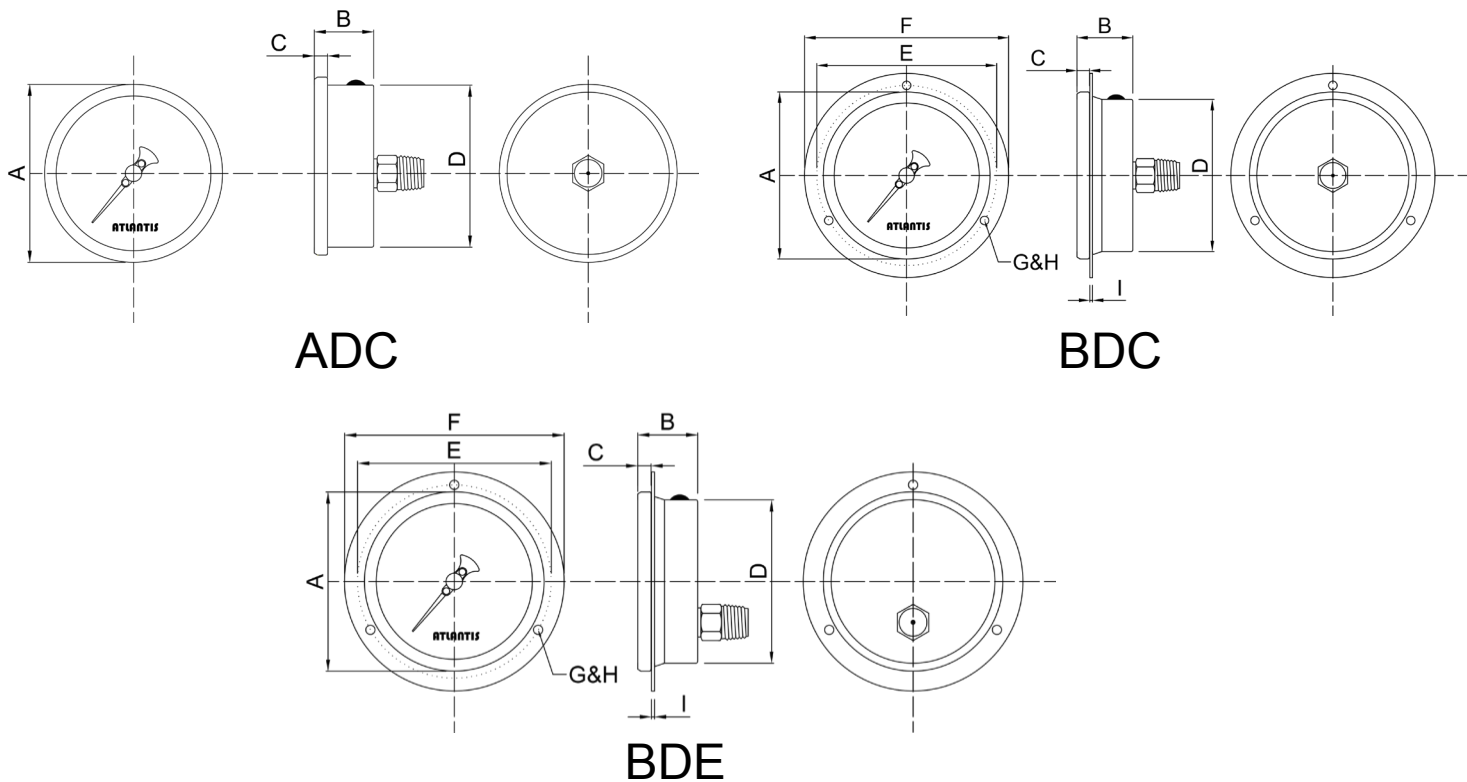
Features

- Record peak pressure value
- IP54 for dry type (Standard) /
IP65 for liquid-filled type (Option)

Due to the variety of customization, the picture is only for reference, please confirm the actual item with our sales. (If there is any change on specification, please take the latest version as standard.)

Installation type





How to order

| PHPG Pressure Gauge with Peak Hold Pointer | | | | | | | | | |
|--|------------------------------|--|---|------|-------------------------------|------|-----------------------------|------|---|
| Std. | Spec. | Code | Item | Code | Item | Code | Item | Code | Item |
| 04 | Size | 025 | 2.5" | 04 | 4" | - | - | - | - |
| A | Type | A | Bottom mount | B | Bottom mount with back flange | ADC | Back mount (Centric thread) | BDC | Back mount with front flange (Centric thread) |
| | | BDE | Back mount with front flange (Eccentric thread) | - | - | - | - | - | - |
| SS | Pressure connection material | B | Copper alloy | SS | Stainless steel | O | Others | - | - |
| SS | Bourdon tube | B | Copper alloy | SS | Stainless steel | O | Others | - | - |
| 3 | Thread size | 1 | 1/8" | 2 | 1/4" | 3 | 3/8" | 4 | 1/2" |
| P | Thread type | P | BSPT | N | NPT | F | PF | - | - |
| Custom | Pressure range | Gauge pressure - (0...1 to 1000 bar) Negative pressure - (-1...0bar) Compound pressure - (-1...+1 to +20 bar) Custom pressure unit scale (psi, bar, kPa, kg/cm ² , MPa, inHg, mmHg, cmHg, etc...), single / dual scale | | | | | | | |
| A | Accuracy | A | ±1.6% | B | ±1% | O | Others | - | - |
| O | Liquid-filling | O | Dry | L | Glycerin | S | Silicone oil | N | Oil-free treatment |
| /B | Other requests | /A | Third party notarized document | | | | | | |
| | | /B | Inspection report (issued by Re-Atlantis) | | | | | | |
| | | /C | Tag | | | | | | |

Order example: PHPG - 04 - A - SS - SS - 3 - P - (0...0.6 to 10bar) - A - O - /B