

**Main Specifications**

- ▼ **Dial diameter**  
2.5" (65mm)
- ▼ **Installation type**  
Bottom mount
- ▼ **Case color**  
Black  
(Diaphragm material - Viton)  
Gray  
(Diaphragm material - PTFE)
- ▼ **Window**  
Glass  
With rubber O-ring sealed
- ▼ **Thread size**  
1/2" , 1/4"
- ▼ **Thread type**  
BSPT, NPT  
Male / Female thread
- ▼ **Pressure range**  
Min.: 0-10kg/cm<sup>2</sup> < standard >  
Max.: 20kg/cm<sup>2</sup> < option >  
Pressure unit is selectable
- ▼ **Ambient temperature**  
-20°C to 60°C
- ▼ **Fluid temperature**  
+60°C
- ▼ **Heat deflection temperature**  
+130°C
- ▼ **Oil-filling**  
No oil filling / Glycerin
- ▼ **Applicable fluid**  
Liquid and gas that compatible with connection's material  
Low corrosive, crystallized, and viscous media
- ▼ **Protection level**  
IP54

**Other Specifications**

- ▼ **Structure**  
Integrated design (Pressure gauge and diaphragm seal in one structure)
- ▼ **Ring (pressure gauge)**  
PP
- ▼ **Case (pressure gauge)**  
PP
- ▼ **Case (Diaphragm seal)**  
PP
- ▼ **Measuring elements (Pressure gauge)**  
Bourdon tube  
Material: Copper alloy
- ▼ **Measuring elements (Diaphragm seal)**  
Diaphragm  
Material: Viton (standard)  
PTFE (option)
- ▼ **Dial face**  
Black scale on whiteboard  
Dial arc: 270°
- ▼ **Pointer**  
Aluminum with black enamel
- ▼ **Indicator**  
Clamp on bezel  
Material: ABS
- ▼ **Movement**  
Copper alloy
- ▼ **Accuracy**  
±1.5%
- ▼ **Operating pressure**  
Stabilization: 3/4\* full scale  
Fluctuation: 2/3\* full scale  
Impulse: 1\* full scale



**Black case**

# Integrated Diaphragm Pressure Gauge (PP Case Type)

## Model: PDSPL-S

### Introduction

PDSPL-S Diaphragm pressure gauge with integrated design, combined pressure gauge and diaphragm seal in one structure. PDSPL-S is suitable for low corrosive, crystalized and viscous media measurement.



**Gray case**

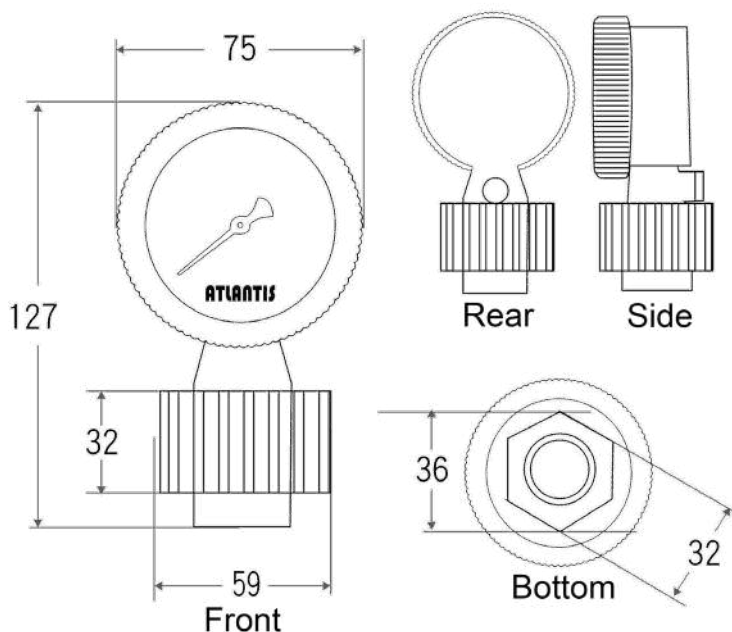


Due to the variety of customization, the picture is only for reference, please confirm the actual item with our sales. (If there is any change on specification, please take the latest version as standard.)

### Features

- OEM service
- Integrated design, rigid structure
- Diaphragm seal and pressure gauge case adopts all PP material
- Strong acid and alkaline resistance performance
- Apply to low corrosive, crystalized and viscous media pressure measurement

## Dimension



Unit : mm

## How to order

PDSPL-S Integrated Diaphragm Pressure Gauge (PP Case Type)									
Std.	Spec.	Code	Item	Code	Item	Code	Item	Code	Item
DC1	Case material	DC1	PP	O	Others available upon request	-	-	-	-
D1	Diaphragm material	D1	Viton (Black case)	D2	PTFE (Gray case)	-	-	-	-
O1	Oil-filling	O1	No	O2	Glycerin	-	-	-	-
Custom	Pressure range	0-10	0-10kg/cm <sup>2</sup>	11-20	11-20kg/cm <sup>2</sup>	O	Others are available made-to-order	-	-
4	Thread size	2	1/4"	4	1/2"	-	-	-	-
N	Thread spec	P	BSPT	N	NPT	O	Others are available made-to-order	-	-
M	Thread type	F	Female	M	Male	-	-	-	-
/B	Other requests	/A	Third party notarized documents						
		/B	Inspection report (issued by Re-Atlantis)						
		/C	Tag						
		/D	Customized dial face (scale, color, etc.)						
		/E	Pressure range: 0...1 to 15bar						
		/F	Window: Acrylic						
		/G	Thread adaptor: adapt the other kind of threads						

Order example: PDSPL-S - DC1 - D1 - O1 - (0-10) - 4 - N - M + /B