

## Main specification

▼ Size
6"
▼ Mount type
Bottom mount
▼ Window
Safety glass
▼ Process connection
Material: SS316
3/8" NPT, 1/2" NPT
Other types available upon request
▼ Electrical connection (Female)
1/2" NPT
3/4" NPT
G1/2"
G3/4"
M20*1.5
M25*1.5
Other types available upon request
▼ Pressure range
-1...0...1 to 400 kg/cm <sup>2</sup>
▼ Operating temperature
-20°C to +70°C
▼ Applicable media
Liquid and gas that compatible with connection's material
▼ Explosion-proof level
Class I groups B, C, D
Class II groups E, F, G
NEMA 4, 7, 9

## Other specification

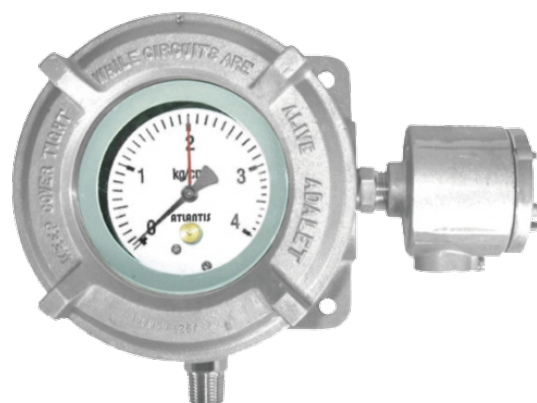
▼ Ring
Aluminum alloy
Option: SS316
▼ Measuring elements
Bourdon tube
Material: SS316
▼ Gauge indication accuracy
±1.0%F.S.
▼ Dead band
±2%F.S.
▼ Switch type
Micro switch
SPDT x1 (standard)
SPDT x2 (option)
▼ Set point
Full scale range available
▼ Contact rating
AC load:
250 VAC, 5A
DC load:
28 VDC, 5A (ohmic load),
3A (inductive load)
▼ Contact material
Pure silver 999.9
▼ Max operating pressure
1.3* full scale

## Pressure Gauge with Switch Contact (Explosion-proof Type)

### Model: MS-APS-5000X

### Introduction

MS-APS-5000X pressure gauge adopts SDPT micro switch. Compared with other electrical contact, MS-APS-5000X has superior indication accuracy, set point accuracy and repeatability, which is suitable for pressure measurement, monitor and auto control.



Due to the variety of customization, the picture is only for reference, please confirm the actual item with our sales. (If there is any change on specification, please take the latest version as standard.)

### Features

- OEM service
- Adopting micro switch, setting point SPDT x1 and SPDT x2 available for choice
- Gauge indication accuracy ±1%, set point accuracy ±2%
- Actuation point can be set on any position within the full scale range

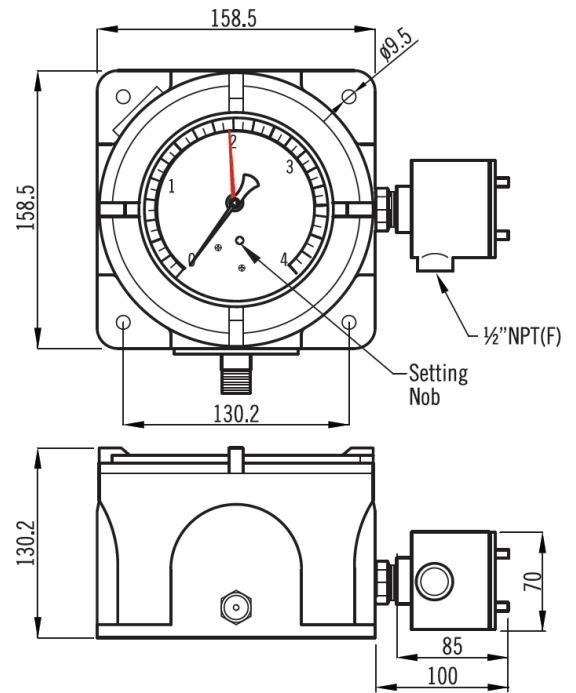
### Range Selection Table

Code	Range (kg/cm <sup>2</sup> )	Dead Band	
		SPDT*1	SPDT*2
000	-1~0	±2.5%	
001	0~1	±2%	±5%
002	0~1.6	±2%	±4%
003	0~2.5	±2%	±4%
004	0~4	±2%	±4%
005	0~6	±2%	±2%
006	0~10	±2%	±2%
007	0~16	±2%	±2%
008	0~20	±2%	±2%
009	0~25	±2%	±2%
010	0~40	±2%	±2%
011	0~60	±2%	±2%
012	0~100	±2%	±2%
013	0~160	±2%	±2%
014	0~250	±2%	±2%
015	0~400	±2%	±2%
016	Optional		

\* Scale Unit : MPa, kg/cm<sup>2</sup>, bar available.

\* Negative pressure only "one setting point" available.

### Dimension



### How to order

MS-APS-5000X Pressure Gauge with Switch Contact (Explosion-proof Type)									
Std.	Spec.	Code	Item	Code	Item	Code	Item	Code	Item
3N	Process connection	3N	3/8" NPT	4N	1/2" NPT	O	Other	-	-
4N	Electrical connection (Female)	4N	1/2" NPT	6N	3/4" NPT	G4	G1/2"	G6	G3/4"
		M20	M20*1.5	M15	M25*1.5	O	Other	-	-
Custom	Pressure range	Please refer to Pressure Range and select corresponding code							
A	Ring	A	Aluminum alloy	SS	SS316	-	-	-	-
S1	Switch type	S1	SPDT x1	S2	SPDT x2	-	-	-	-
/B	Other requests	/A	Third party notarized document						
		/B	Inspection report (issued by Re-Atlantis)						
		/C	Tag						

Order example: MS-APS-5000X - 3N - 4N - 012 - A - S1 - /B