

**Main specifications**

- ▼ **Size**  
2" , 2.5" , 3" , 4"
- ▼ **Installation type**  
Bottom mount (A) /  
Bottom mount with flange (B) /  
Back mount (ADC) /  
Back mount (eccentric thread) (ADE) /  
Back mount with flange(BDC)
- ▼ **Window**  
Glass (standard)  
Option:  
PC / Acrylic / Safety glass
- ▼ **Pressure connection**  
Material: copper alloy  
Size: 1/4" , 3/8" , 1/2"  
Spec.: BSPT, NPT, PF  
Other thread specs please specify before order
- ▼ **Pressure range**  
Min. 300 mmAq  
Max. 6000 mmAq
- ▼ **Applicable media**  
Liquid and gas that compatible with copper alloy
- ▼ **Ambient temperature**  
-40°C~60°C
- ▼ **Fluid temperature**  
-20°C~60°C
- ▼ **Temperature drift**  
Every 12°C  
Max. error ±0.3% F.S
- ▼ **Protection level**  
IP43

**Other specifications**

- ▼ **Ring**  
Steel with black enamel
- ▼ **Ring mount**  
Snap-in / Screw fixed
- ▼ **Case**  
Steel with black enamel
- ▼ **Pointer**  
Aluminum with black enamel  
Knife edge pointer  
(For Size > 3" only)
- ▼ **Dial face**  
Blue & black scale  
Adjustable screw on dial face  
Other pressure unit, scale & color available upon request
- ▼ **Measuring elements**  
Capsule  
Material: copper alloy
- ▼ **Movement**  
Copper alloy
- ▼ **Accuracy**  
±4.0%F.S. (Standard)  
±3.0%F.S. (Option)
- ▼ **Operating pressure**  
Stabilization 3/4\* full scale  
Fluctuation 2/3\* full scale

**Black Steel Case  
Micro Pressure Gauge  
Model: MP-EPG  
Introduction**

MP-EPG micro pressure gauge with affordable price is suitable for micro pressure measurement in media compatible with liquid and gas.



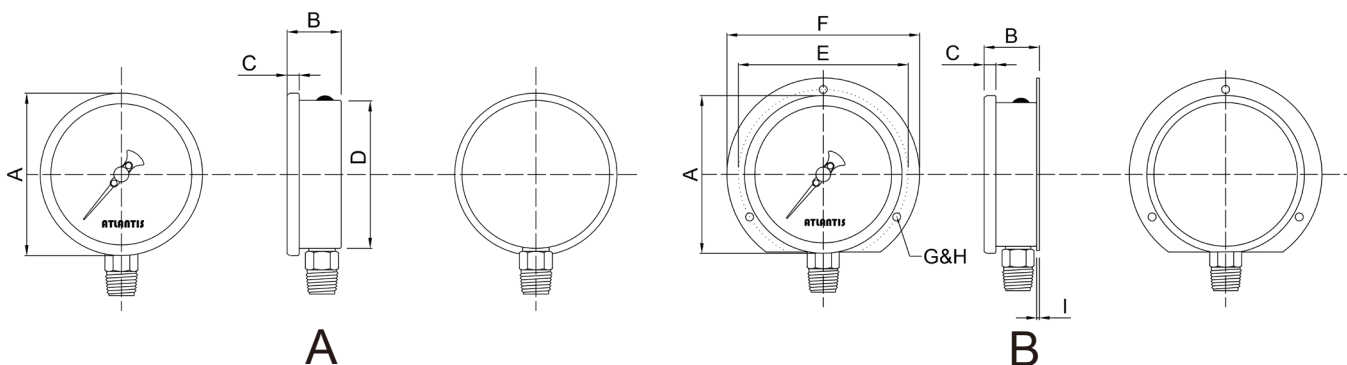
Due to the variety of customization, the picture is only for reference, please confirm the actual item with our sales. (If there is any change on specification, please take the latest version as standard.)

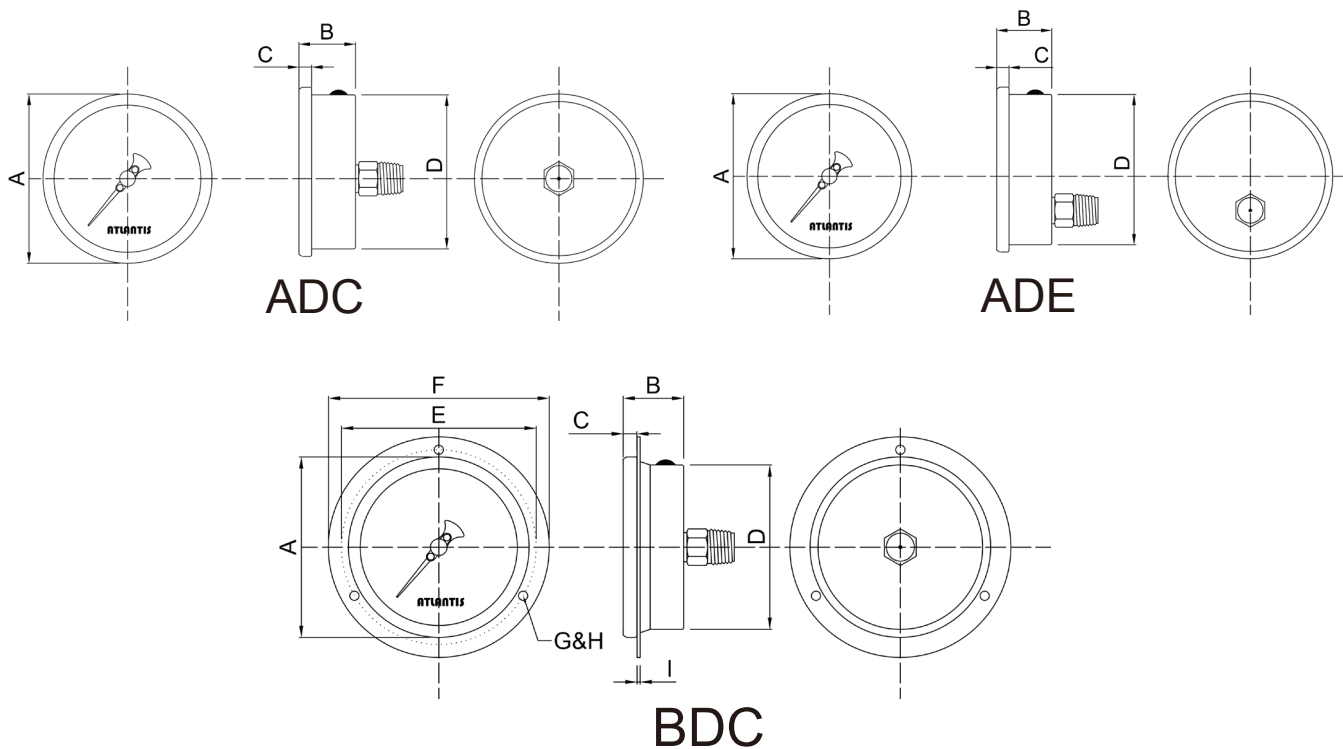
**Features**

- OEM service
- General type micro pressure gauge with affordable price
- Specially design for micro pressure measurement

Installation type	2" (50mm)	2.5" (63mm)	3" (75mm)	4" (100mm)
A	●	●	●	●
B		●	●	●
ADC	●	●		●
ADE			●	
BDC		●		●

**Installation type**





### How to order

MP-EPG Black Steel Case Pressure Gauge												
Std.	Specification	Code	Item	Code	Item	Code	Item	Code	Item	Code	Item	
03	Size	02	2"	025	2.5"	03	3"	04	4"	-	-	
A	Installation type	A	Bottom mount	B	Bottom mount with flange	ADC	Back mount	ADE	Back mount (Eccentric thread)	BDC	Back mount with flange	
B	Connection material	B	Copper alloy	O	Others (please specify)	-	-	-	-	-	-	
B	Capsule material	B	Copper alloy	O	Others (please specify)	-	-	-	-	-	-	
4	Thread size	2	1/4"	3	3/8"	4	1/2"	-	-	-	-	
N	Thread type	P	BSPT	N	NPT	F	PF	O	Others (please specify)	-	-	
Custom	Pressure range	0...300 to 6000 mmAq										
A	Accuracy	A	±4.0% F.S.	B	±3.0%F.S.	-	-	-	-	-	-	
/B	Other requests	/A	Third party notarized report				/B	Inspection report				
		/C	Tag				/D	Customized dial face (scale, color, unit, etc.)				
		/E	Install a diaphragm seal				/F	Peak hold pointer (only available for size < 2.5" )				
		/G	Internal stop in for overpressure protection				/H	Epoxy coating				
		/I	Window - PC				/J	Window - Acrylic				
		/K	Window - Safety glass (only available for size > 4" )				/L	Ring - chrome plating				
		/M	Case - chrome plating				/N	Thread - chrome plating				
		/O	Minimum measurable pressure 300mmAq				-	-				

Order example: MP-EPG - 03 - A - B - B - 4 - N - (0...500 mmAq) - A + /B