

Main Specifications

- ▼ **Size**
4" ,6"
- ▼ **Window**
PC (standard)
Option:
Safety glass / Tempered glass
- ▼ **Installation type**
Bottom Intersection (I) /
Bottom parallel (P) /
Bottom parallel with flange (PB) /
Back parallel (B) /
Back parallel with flange (BP)
- ▼ **Pressure connection**
Material: SS316
Welded connection
Size: 1/2"
Type: BSP, NPT
Other thread spec. available upon request
- ▼ **Thread hole pitch**
37mm(Φ4") / 54mm(Φ6")
- ▼ **Pressure range**
0 ... 0.1 to 50 bar
- ▼ **Applicable fluid**
Liquid and gas that compatible with connection's material
- ▼ **Ambient temperature**
-20°C to +70°C
- ▼ **Fluid temperature**
+100°C
- ▼ **Protection level**
IP54 (standard) / IP65 (option)

Other Specifications

- ▼ **Ring**
Stainless steel
- ▼ **Ring mount**
Outside bayonet
- ▼ **Case**
SS 304
- ▼ **Pointer**
Aluminum alloy
- ▼ **Dial face**
Red and black scale
Dial face design for differential pressure gauge
- Pressure unit, color can be customized upon request
- ▼ **Measuring elements**
Bellow
Material: SS316
- ▼ **Movement**
Stainless steel
- ▼ **Accuracy**
±3.0% (Std.) / ±2.0% (option)
- ▼ **Maximum static pressure**
Full scale: 6*full scale

All Stainless Steel Differential Pressure Gauge (Bellow type)

Model: MDX

Introduction

MDX differential pressure gauge adopts bellow as pressure sensor, which is suitable for measuring the differential pressure of liquid, gas and steam from same or different pressure source, can be matched with Triple Valve.



Bottom parallel (P)



Due to the variety of customization, the picture is only for reference, please confirm the actual item with our sales. (If there is any change on specification, please take the latest version as standard.)

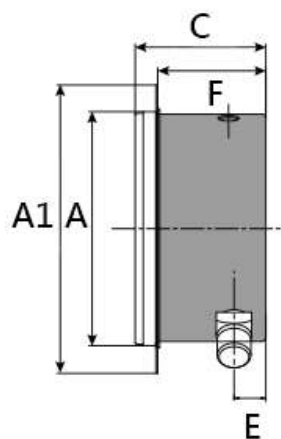
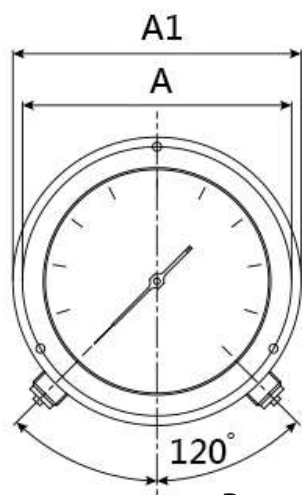
Features

- OEM service
- Adopt stainless steel bellow as pressure sensor
- Welded connection
- Various installation type for selection
- Long service life

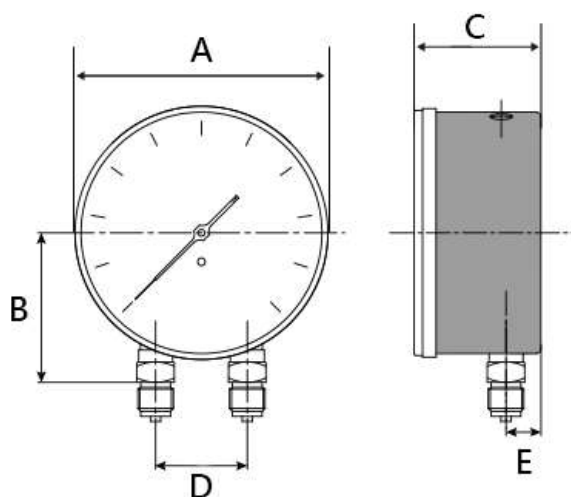


Bottom Intersection (I)

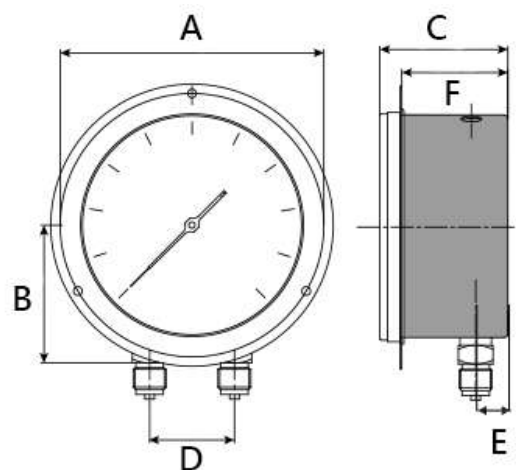
Installation type



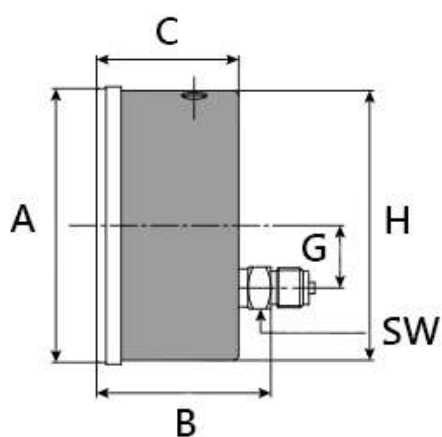
Bottom Intersection (I)



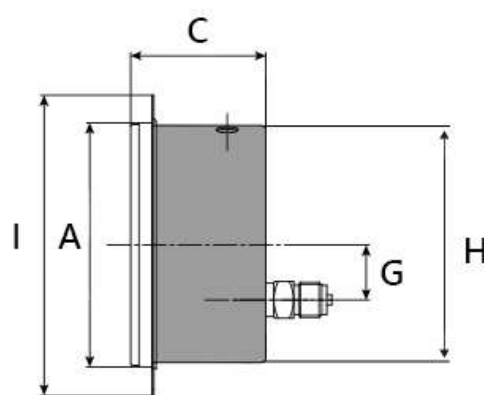
Bottom parallel (P)



Bottom parallel with flange (PB)



Back parallel (B)



Back parallel with flange (BP)

How to order

MDX All Stainless Steel Differential Pressure Gauge (Bellow Type)												
Std.	Spec.	Code	Item	Code	Item	Code	Item	Code	Item	Code	Item	
04	Size	04	4"	06	6"	-	-	-	-	-	-	
P	Installation type	I	Bottom intersection	P	Bottom parallel	PB	Bottom parallel with flange	B	Back parallel	BP	Back parallel with flange	
316	Connection material	316	SS316	O	Others (please specify)	-	-	-	-	-	-	
316	Bellow material	316	SS316	O	Others (please specify)	-	-	-	-	-	-	
4	Thread size	4	1/2"	O	Others (please specify)	-	-	-	-	-	-	
N	Thread type	P	BSP (F)	N	NPT (F)	O	Others (please specify)	-	-	-	-	
A	Accuracy	A	±3.0%	B	±2.0%	-	-	-	-	-	-	
N	Liquid-filling	N	Dry	L	Glycerin	S	Silicone oil	O	Others (please specify)	-	-	
Custom	Differential pressure range	0 ... 0.1 to 50 bar Pressure unit on dial face: kg/cm2, bar, psi, Pa, kPa, MPa, atm (Other pressure unit and single/dual scale can be customized upon request)										
/B	Other requests	/A	Third party notarized document				/B	Inspection report				
		/C	Tag				/D	Customized dial face (scale, color, unit, etc)				
		/E	Case material SS316				/F	Peak hold pointer				
		/G	Install a diaphragm seal				/H	Install a switch contact				
		/I	Install a capillary				/J	Flange type connection				
		/K	Window - safety glass				/L	Window - tempered glass				
		/M	Anti-splash processing (window and ring sealed with O-ring)				/N	Dampened movement				
		/O	Adapt the other kind of thread				/P	Internal stop pin for overpressure protection				
		/Q	Maximum static pressure 200bar				/R	Maximum static pressure 400bar				
		/S	Epoxy coating				/T	Install throttle screw at the bottom				
		/U	Protection level IP65				/V	Blow out back				

Order example: MDX - 04 - P - 316 - 316 - 4 - N - A - N - (0...10bar) - /B