

Main Specifications

▼Size

4" ,6"

▼Installation type

Bottom mount (A) /

Bottom mount with front
flange (B) /

Horizon connection (C1) /

Vertical connection (C2)

▼Window

General glass / Safety glass

▼Pressure connection

Material:

SS304 (Option: SS316)

Thread size: 1/2"

Thread type:

NPT / PF

(male / female thread)

▼Thread hole pitch (Calculate
from the center of the thread)

54mm (standard) /

37mm (option)

▼Differential pressure range

0...0.25 to 25bar

▼Applicable fluid

Liquid and gas that compatible
with connection's material

▼Ambient temperature

-20°C to +70°C

▼Fluid temperature

+100°C

▼Protection level

IP55 (Option: IP65)

Other Specifications

▼Ring

Stainless steel

▼Ring mount

Bayonet

▼Case

SS304 (Option: SS316)

▼Pointer

Aluminum with black enamel

Adjustable pointer

▼Dial face

Blue and black scale

Dial face specially designed for
differential measurement

▼Measuring elements

Diaphragm

Material: SS316

▼Movement

Stainless steel

▼Accuracy

±2.5%F.S. (Standard)

±1.6%F.S. (Option)

▼Maximum static pressure

≤100bar (Option: 200/400bar)

▼Other requests (Option)

Third party notarized
documents

Inspection report

Tag

Customized dial face (scale,
colors, unit, etc.)

Install diaphragm seal

Coating

Install throttle screw

Dampened movement

Install capillary

All Stainless Steel Differential
Pressure Gauge (Double
Diaphragm Type)

Model: MDD

Introduction

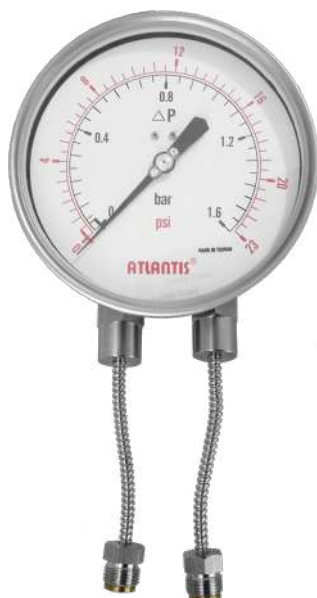
MDD has high pressure resistance and high anti-corrosive performance. The diaphragm type pressure gauge is mainly use for the positive and negative pressure port of the filter. It is suitable for measuring differential pressure of liquid level, pump inlet and outlet, oil pipeline, pipeline gas and pressurize pump station, can be matched with Triple Valve.



Due to the variety of customization, the picture is only for reference, please confirm the actual item with our sales. (If there is any change on specification, please take the latest version as standard.)

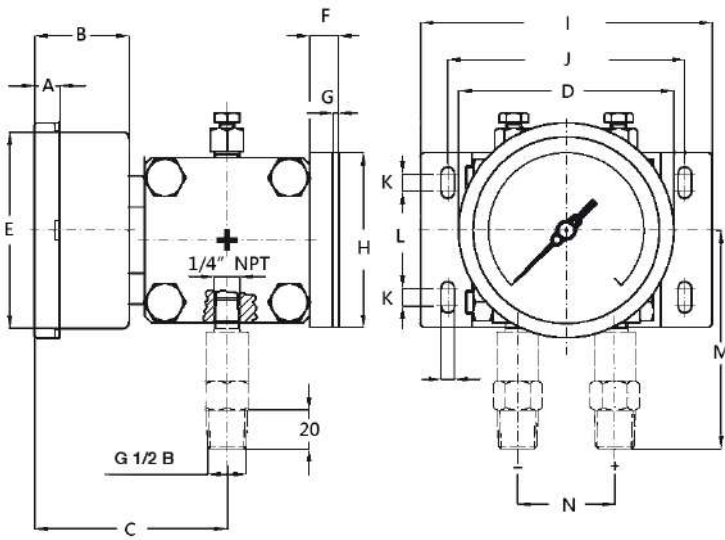
Feature

- OEM service
- Adopts diaphragm as pressure sensing elements
- Welded connection
- All stainless steel design
- Long service life
- Use with a 3-valve or 5-valve (option)

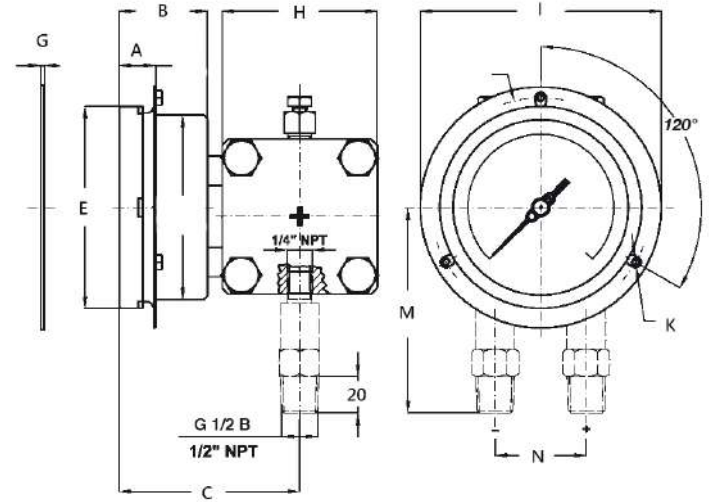


Install capillary

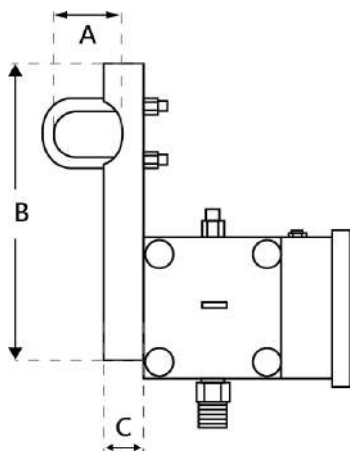
Installation type



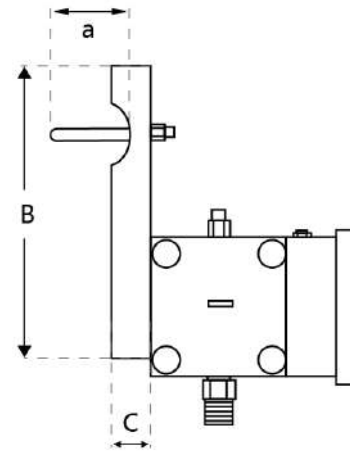
Bottom mount (A)



Bottom mount with front flange (B)



Horizon connection (C1)



Vertical connection (C2)

How to order

MDD All Stainless Steel Differential Pressure Gauge (Diaphragm Type)											
Std.	Spec.	Code	Item	Code	Item	Code	Item	Code	Item	Code	Item
04	Size	04	4"	06	6"	-	-	-	-	-	-
A	Installation type	A	Bottom mount	B	Bottom mount with front flange	C1	Horizon connection	C2	Vertical connection	-	-
304	Pressure connection material	304	SS 304	316	SS316	O	Others	-	-	-	-
4	Thread size	4	1/2"	O	Others	-	-	-	-	-	-
N	Thread spec.	N	NPT	F	PF	O	Others	-	-	-	-
M	Thread type	M	Male	F	Female	-	-	-	-	-	-
54	Thread hole pitch	54	54mm	37	37mm	-	-	-	-	-	-
Custom	Differential pressure range	0...0.25 to 25 bar Pressure unit on dial face scale: kg/cm ² , bar, psi, Pa, kPa, MPa, atm (Special unit and single/dual scale can be customized upon request)									
/B	Other requests	/A	Third party notarized document								
		/B	Inspection report (issued by Re-Atlantis)								
		/C	Tag								
		/D	Triple Valve								

Order example: MDD - 04 - A - 304 - 4 - N - M - 54 - (0...10bar) + /B