

**Main Specifications****▼ Size**

8" , 10" , 12"

**▼ Installation type**Bottom mount with flange (B) /  
Lower back mount with flange  
(BDE)**▼ Window**

Material: Glass

With rubber O-ring sealed

**▼ Pressure connection**

Material:

Copper alloy / SS316 /

Monel K400

With rubber O-ring sealed

Size: 3/8" , 1/2" , 3/4"

Type: BSPT, NPT, PF

Other thread spec. available  
upon request**▼ Pressure range**

Positive pressure ▼

0...0.4 to 1600bar

Vacuum pressure ▼

-1 bar/-30inHg/-76cmHg

Compound pressure ▼

-1...0 to 100bar

**▼ Applicable fluid**Liquid and gas that compatible  
with connection's material**▼ Ambient temperature**

-40°C to +80°C (Dry)

**▼ Media temperature**

+60°C (Brass)

+125°C (Stainless steel)

+300°C (with cooling element)

**▼ Temperature error**

Every ±12 °C

max. error: ±0.3% F.S

**▼ Protection level**

IP54

**Other Specifications****▼ Ring**Aluminum alloy with black  
enamel

Threaded ring

**▼ Case**Aluminum alloy with black  
enamel**▼ Pointer**Anodized Aluminum with  
black enamel**▼ Dial face**

Blue and black scale

Customized pressure unit on  
dial (single/dual scale)**▼ Measuring elements**

Bourdon tube

Material:

Copper alloy / SS316 /

Monel K500

**▼ Movement**

Stainless steel

With overload &amp; underload stops

**▼ Accuracy**

±1.6%F.S. (standard)

±1.0%F.S. (option)

**▼ Operating pressure**

Stabilization: 0.75\* full scale

Fluctuation: 0.9\* full scale

Impulse: 1.3\* full scale

**▼ Weight**

2.1-2.5 kg (8" )

2.7-3.1 kg (10" )

3.2-3.6 kg (12" )

## Aluminum Case

### Large Size Pressure Gauge

#### Model: LS-AL

#### Introduction

LS-AL are supplied with an aluminum back flange case with black enamel. Large size pressure gauge are suitable where the distance is a factor and the gauge needs expanded dial face to increase its legibility without visual error.

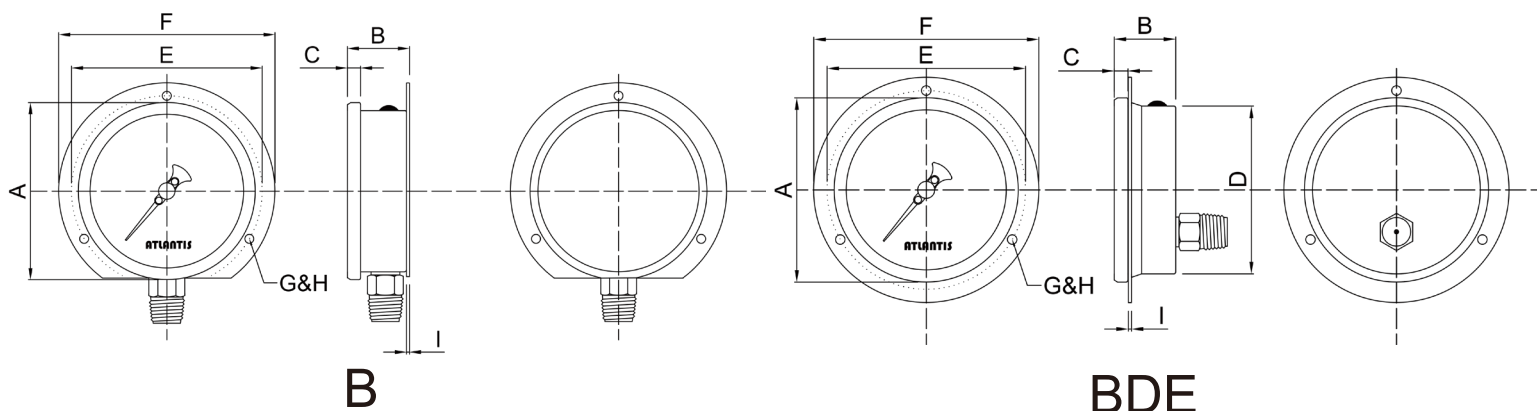


Due to the variety of customization, the picture is only for reference, please confirm the actual item with our sales. (If there is any change on specification, please take the latest version as standard.)

#### Features

- OEM service
- Adopts aluminum case with black enamel design
- 8" ~12" expanded dial face increases legibility
- Specially design for apparatuses need to read pressure value from remote place
- Impact and vibration resistance

## Installation



## How to order

LS-AL Aluminum Case Large Size Pressure Gauge												
Standard	Spec.	Code	Item	Code	Item	Code	Item	Code	Item	Code	Item	
10	Size	08	8"	10	10"	12	12"	-	-	-	-	
B	Installation type	B	Bottom mount with flange	BDE	Lower back mount with flange	-	-	-	-	-	-	
SS	Pressure connection	SS	SS316	B	Copper alloy	M	Monel K400	-	-	-	-	
SS	Bourdon tube	SS	SS316	B	Copper alloy	M	Monel K500	-	-	-	-	
4	Thread size	3	3/8"	4	1/2"	6	3/4"	-	-	-	-	
N	Thread spec	P	BSP	N	NPT	F	PF	O	Others	-	-	
Custom	Pressure range	Positive pressure – (0...0.4 to 1600bar) Vacuum pressure – (-1 bar/-30inHg/-76cmHg...0) Compound pressure – (-1...0 to 100bar) Customized pressure unit on dial face (psi, bar, kPa, kg/cm <sup>2</sup> , MPa, inHg, mmHg, cmHg, etc...), single/dual scale										
A	Accuracy	A	±1.6%F.S.	B	±1.0% F.S.	-	-	-	-	-	-	
/B	Other requests	/A	Third party notarized document				/B	Inspection report				
		/C	Tag				/D	Customized dial face (scale, color, etc.)				
		/E	Dampened movement				/F	Thread - chrome plating				
		/G	Install a diaphragm seal				/H	Adjustable pointer				
		/I	Cleaned for oxygen service				/J	Epoxy coating				
		/K	Install a cooling fin (media temp. 300°C)				-	-				

Order example: LS-AL - 10 - B - SS - SS - 4 - N - (0...0.4 to 60bar) - A - /B