

Main Specifications

- ▼Size  
3" ,4" ,5" ,6"
- ▼Window  
Glass
- ▼Installation type  
Adjustable angle type
- ▼Process connection  
Material: SS304  
Thread size:  
1/4" , 3/8" ,1/2" ,3/4" ,1"  
Thread type:  
BSPT, NPT, PF
- ▼Stem  
Material: SS304 / SS316  
Outer diameter: 6.35mm  
Length: 63.5mm ~ 2032mm
- ▼Temperature range  
Min. -50°C  
Max. +600°C
- ▼Applicable fluid  
Liquid and gas that compatible with SS304
- ▼Protection level  
IP 54

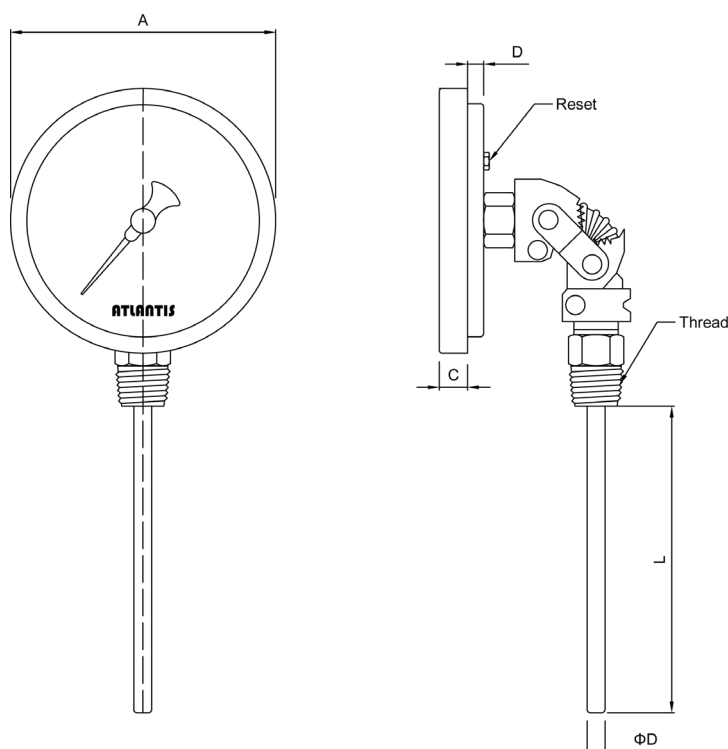
Other Specifications

- ▼Ring  
Stainless steel  
Outside bayonet
- ▼Case  
External adjustable screw  
(Hexagonal flathead screw)
- ▼Pointer  
Aluminum with black enamel
- ▼Dial face  
Red and black scale  
Pressure unit, scale, and color can be customized upon request
- ▼Measuring elements  
Media-expansion  
Temperature sensing area :  
last 2" ~4" of stem
- ▼Temperature accuracy  
1.5% (Option: 1%)
- ▼Operating temperature  
Stability: 3/4\* full scale  
Short-time: 1\* full scale

## Media-Actuated Thermometer (Adjustable Angle Type) Model: ITA



### Dimension



Due to the variety of customization, the picture is only for reference, please confirm the actual item with our sales. (If there is any change on specification, please take the latest version as standard.)

### Features

- OEM service
- Adjustable angle thermometer
- All stainless steel design
- Full scale accuracy within 1.5%
- Customized stem length
- Dual temperature unit scale (°C/°F)

## How to order

ITA Media-Actuated Thermometer (Adjustable Angle Type)										
Std.	Spec.	Code	Item	Code	Item	Code	Item	Code	Item	
04	Size	03	3"	04	4"	05	5"	06	6"	
4	Thread size	2	1/4"	3	3/8"	4	1/2"	6	3/4"	
		8	1"	0	Others	–	–	–	–	
P	Thread type	P	BSPT	N	NPT	F	PF	O	Others	
304	Stem material	304	SS304	316	SS316	O	Others	–	–	
Custom	Stem outer diameter	Standard: 6.35mm Other stem outer diameter available upon request								
Custom	Stem length	Standard: 63.5mm Other stem length available upon request								
Custom	Temp. range	-50 to 600°C								
/D	Other requests	/A	Third party notarized documents			/B	Inspection report			
		/C	Tag			/D	Customized dial (Scale, color, unit, etc.)			
		/E	Thermowell (thermowell specifications are customized according to the selected stem specifications)			/F	Accuracy: 1%			
		/G	Install an swivel nut on connection			/H	Safety glass window (Only available for size > 4" )			
		/I	Case material SS 316			/J	Window - silicon rubber O-ring			
		/K	Concave dial for easy reading			/L	Special pointer: knife edge pointer			
		/O	Remove anti-sway pointer (increase sensibility)			/P	Remove external adjustable screw			
		/Q	Remove stem thread (min. 35mm 200~300°C)			–	–			

Order example: ITA - 04 - 4 - P - 304 - 6.35mm - 63.5mm - (0 to 100°C) + /D