

Main Specifications

- ▼ **Size**
3" , 4" , 5" , 6"
- ▼ **Installation type**
Back mount with flange (FTFFC)
Back mount with U-clamp (FTFUC)
Wall mount with flange (FTWFC)
- ▼ **Window**
Acrylic
- ▼ **Process connection**
Material: SS304
1/2" PT
3/8" PT
With swivel nut (male thread)
- ▼ **Stem**
Material: SS304 / SS316
Length: 150mm (standard)
Outer diameter: 12mm
Other outer diameter / length are available upon request
- ▼ **Capillary**
Material: SS304
Length: 3M
Outer diameter: 6.35mm
Other outer diameter / length are available upon request
- ▼ **Temperature range**
Min. -50°C
Max. +650°C
- ▼ **Applicable fluid**
Liquid and gas that compatible with connection's material
- ▼ **Protection level**
IP 54

Other Specifications

- ▼ **Ring**
Stainless steel
Outside bayonet
- ▼ **Case**
SS 304
External adjustable screw
- ▼ **Wiring type**
Visual wiring (FL) /
Visual magnet base with junction box (JB)
- ▼ **Switch contact type**
Sliding switch SPST
- ▼ **Contact function**
Single contact N.O. (1a) /
Single contact N.C. (1b) /
Double contacts N.O.+N.C. (1a1b) /
Double contacts N.C.+N.O. (1b1a) /
Double contacts N.O.x2 (2a) /
Double contacts N.C.x2 (2b)
For more information please refer to single / double contacts wiring
- ▼ **Contact material**
80% silver, 20% nickel, 10µm gold-plated (>110V)
Gold (≤36V)
- ▼ **Number of contacts**
SPST*1 / SPST*2 / SPST*4
- ▼ **Pointer**
Aluminum with black enamel (With adjustable screw)
- ▼ **Dial face**
Red and black scale
Pressure unit, scale, and color can be customized upon request
- ▼ **Measuring elements**
Gas-actuated (standard)
Liquid-actuated (option)
- ▼ **Temperature accuracy**
±1°C < -20°C~80°C >
- ▼ **Operating temperature**
Stabilization: 3/4* full scale
Short-time: 1* full scale

Power parameter

Voltage	DC	AC	Inductive load
230V	100mA	120mA	65mA
110V	200mA	240mA	130mA
50V	300mA	450mA	200mA
24V	400mA	600mA	250mA
Capacity 18W / ~30VA			

Remote Reading Thermometer with Electrical Contact
Model: FTC series

Introduction

The remote reading thermometer equipped with a buzzer, a flashing indicator or a relay to remote control and monitor connected facility.

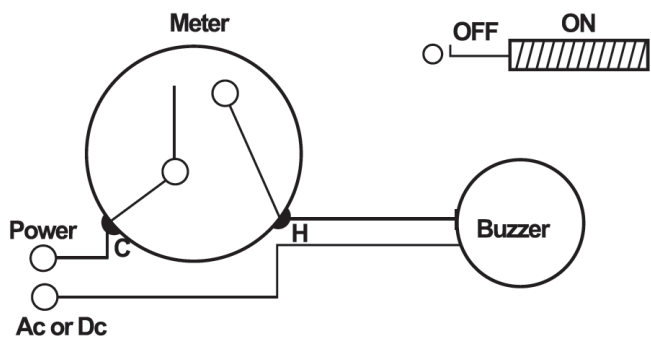


Due to the variety of customization, the picture is only for reference, please confirm the actual item with our sales. (If there is any change on specification, please take the latest version as standard.)

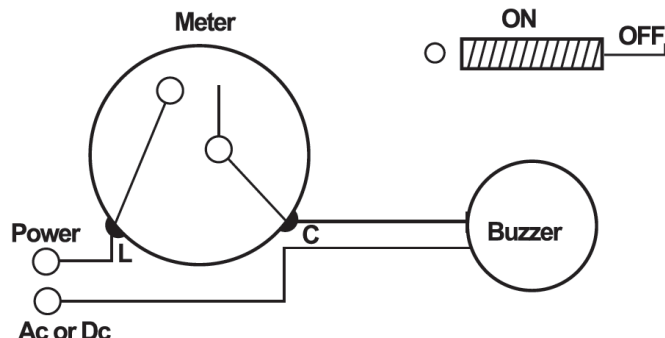
Features

- OEM service
- Adopts sliding switch SPST, various contact functions
- Various installation type
- Stem / Capillary's outer diameter and length can be customized upon request
- Media-actuated thermometer can fast response to ambient temperature

Contact wiring type



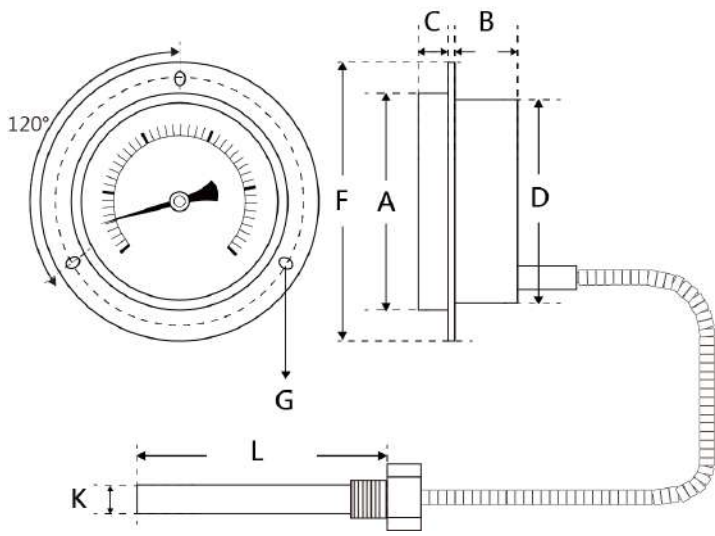
Single contact upper limit (1a)



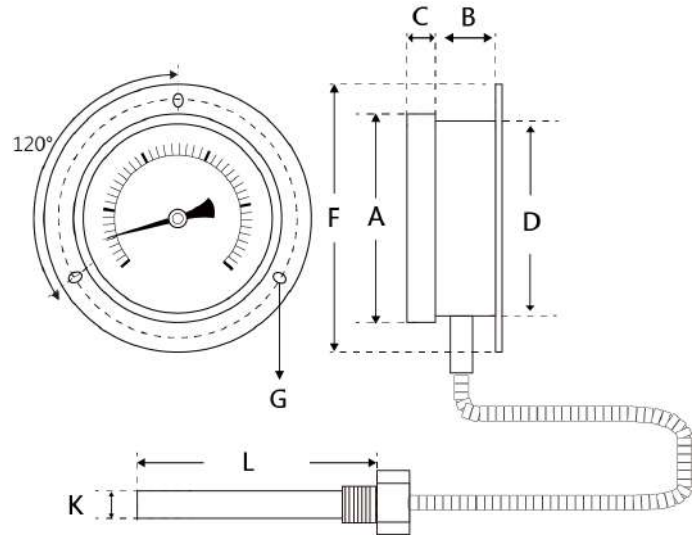
Single contact lower limit (1b)

Double contact		
	<p>When the pressure indicator reaches left set point (green pointer), the first contact breaks (circuit open)</p> <p>When the pressure indicator reaches right set point (red pointer), the second contact makes (circuit close)</p> <p>(NC+NO)</p> <p><Positive pressure: left→right></p> <p>Switch mode: SP5D X 2</p>	<p>1a1b</p>
	<p>When the pressure indicator reaches left set point (red pointer), the first contact makes (circuit close)</p> <p>When the pressure indicator reaches right set point (green pointer), the second contact breaks (circuit open)</p> <p>(NC+NO)</p> <p><Positive pressure: left→right></p> <p>Switch mode: SP5D X 2</p>	<p>1b1a</p>
	<p>When the pressure indicator reaches left set point (yellow pointer), the first breaks (circuit close)</p> <p>When the pressure indicator reaches right set point (red pointer), the second contact breaks (circuit close)</p> <p>(NC-NO x 2)</p> <p><Positive pressure: left→right></p> <p>Switch mode: SP5D X 2</p>	<p>2a</p>
	<p>When the pressure indicator reaches left set point (green pointer), the first contact makes (circuit open)</p> <p>When the pressure indicator reaches right set point (yellow pointer), the second contact makes (circuit open)</p> <p>(NC-NC x 2)</p> <p><Positive pressure: left→right></p> <p>Switch mode: SP5D X 2</p>	<p>2b</p>

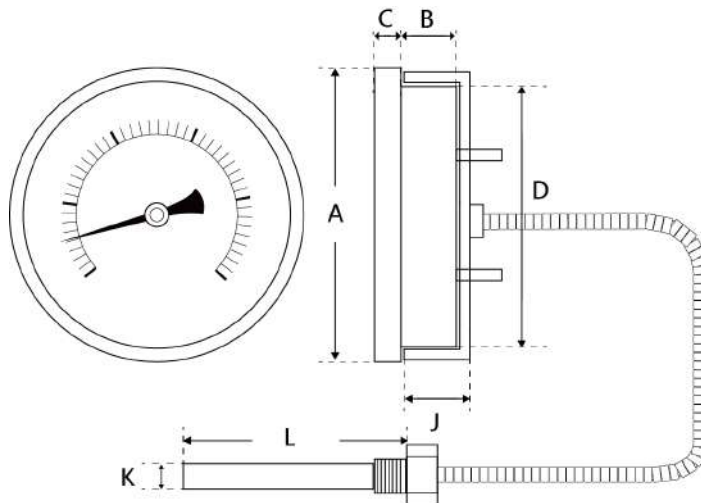
Installation type



Back mount with flange (FTFFC)



Wall mount with flange (FTWFC)



Back mount with U-clamp (FTFUC)

How to order

FTC series Remote Reading Thermometer with Electrical Contact										
Std.	Spec.	Code	Item	Code	Item	Code	Item	Code	Item	
FTFFC	Installation type	FTFFC	Back mount with flange	FTFUC	Back mount with U-clamp	FTWFC	Wall mount with flange	-	-	
04	Size	03	3"	04	4"	05	5"	06	6"	
FL	Wiring type	FL	Visual wiring	JB	Visual magnet base with junction box	-	-	-	-	
1a1b	Contact function	1a	N.O.	1b	N.C.	1a1b	N.O.+N.C.	1b1a	N.C.+N.O.	
		2a	N.O.x2	2b	N.C.x2	-	-	-	-	
2	Contact numbers	1	SPST*1	2	SPST*2	4	SPST*4	-	-	
3P	Process connection	3P	3/8" PT with swivel nut	4P	1/2" PT with swivel nut	O	Others	-	-	
304	Stem material	304	SS 304	316	SS 316	O	Others	-	-	
Custom	Stem outer diameter	Standard: 12mm Other stem outer diameter available upon request								
Custom	Stem length	Standard: 63.5mm Other stem length available upon request								
304	Capillary material	304	SS 304	O	Others	-	-	-	-	
Custom	Capillary outer diameter	Standard: 6.35mm Other capillary outer diameter available upon request.								
Custom	Capillary length	Standard: 3M Other capillary length available upon request (Max. 20M)								
Custom	Temp. range	-50 to 650°C								
A	Measuring elements	A	Gas-actuated	L	Liquid-actuated	-	-	-	-	
/D	Other requests	/A	Third party notarized documents			/B	Inspection report			
		/C	Tag			/D	Customized dial face (scale, color, unit, etc.)			
		/E	Thermowell (thermowell specifications are customized according to the selected stem specifications)			/F	Remove external adjustable screw			
		/G	Remove anti-sway pointer (better sensibility)			/H	IP67 (sealed with silicone rubber O-ring)			
		/I	Epoxy coating capillary			-	-			

Order example: FTFFC - 04 - FL - 1a1b - 2 - 3P - 304 - 12mm - 63.5mm - 304 - 6.35mm - 3M - (0 to 150°C) - A + /D