

**Main specifications**

- ▼Dimension  
FRL 3000: 181 x 156.5 mm  
FRL 4000: 238 x 191.5 mm  
FRL 5000: 300 x 267 mm
- ▼Pipe joint bore  
FRL 3000: 1/4" , 3/8"  
FRL 4000: 3/8" , 1/2" , 3/4"  
FRL 5000: 3/4" , 1"  
Specification: G, PT, NPT
- ▼Gauge connection  
FRL 3000: 1/8" NPT  
FRL 4000: 1/4" NPT  
FRL 5000: 1/4" NPT
- ▼Adjustable Pressure Range  
0.05 to 0.85MPa
- ▼Max Adjustable Pressure  
1.0Mpa
- ▼Operating temperature  
5 to 60°C
- ▼Recommended oil use  
ISO VG 32

**Other Specifications**

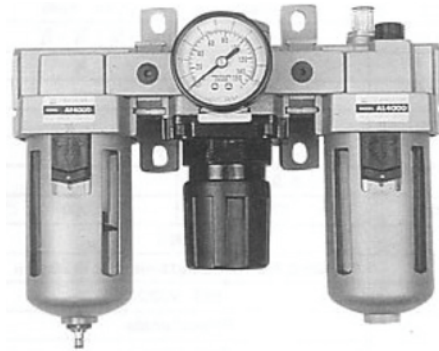
- ▼Body material  
Aluminum die casting /  
Stainless steel
- ▼Container material  
Polycarbonate
- ▼Rated flow  
FRL 3000 – 1700 L/min  
FRL 4000 – 3000 L/min  
FRL 5000 – 4500 L/min
- ▼Filtering element roughness  
25u
- ▼Max operating pressure  
1.0MPa
- ▼Ensured pressure resistance  
1.5MPa
- ▼Drain function  
Differential drain /  
Automatic drain
- ▼Valve  
With overflow function

**Filter + Regulator + Lubricator  
Combination Units**

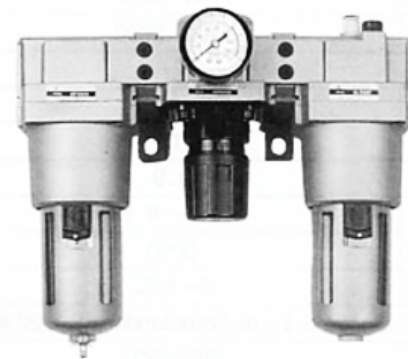
**Model: FRL 3000/4000/5000**

**Introduction**

FRL combined with pneumatic particulate / moisture separation gas line filters, adjustable pressure regulators and lubricator. It has widely applied in pneumatic gas line filtering, regulation, and lubricating with all-in-one single convenient unit.



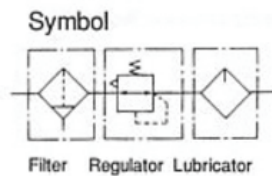
**FRL 3000/4000**



**FRL 5000**

**Features**

- Filter, Regulator and Lubricator combined design
- With overflow function
- Differential drain and automatic drain
- Attached with a mounting bracket
- Regulators come with a pressure gauge and protective cover
- Outsourcing parts were selected and tested very strictly to ensure its quality



Due to the variety of customization, the picture is only for reference, please confirm the actual item with our sales. (If there is any change on specification, please take the latest version as standard.)

**How to order**

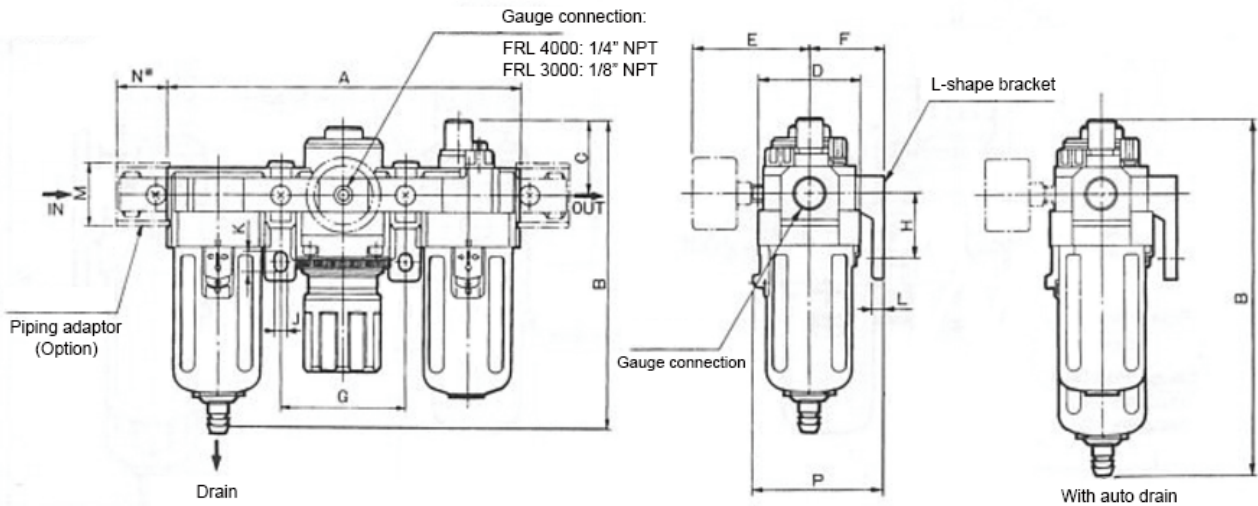
Model	Type	Code	Pipe joint bore size	Pipe joint bore spec.	Code	Body material	Code	Drain Type
FRL	3000	2:	1/4"	G	A:	Aluminum	DD:	Differential Drain
	4000	3:	3/8"	PT	SS:	Stainless steel	AD:	Automatic Drain
	5000	4:	1/2"	NPT				
		6:	3/4"					
		10:	1"					

Order Example: FRL - 3000 - 2 - PT - A - AD

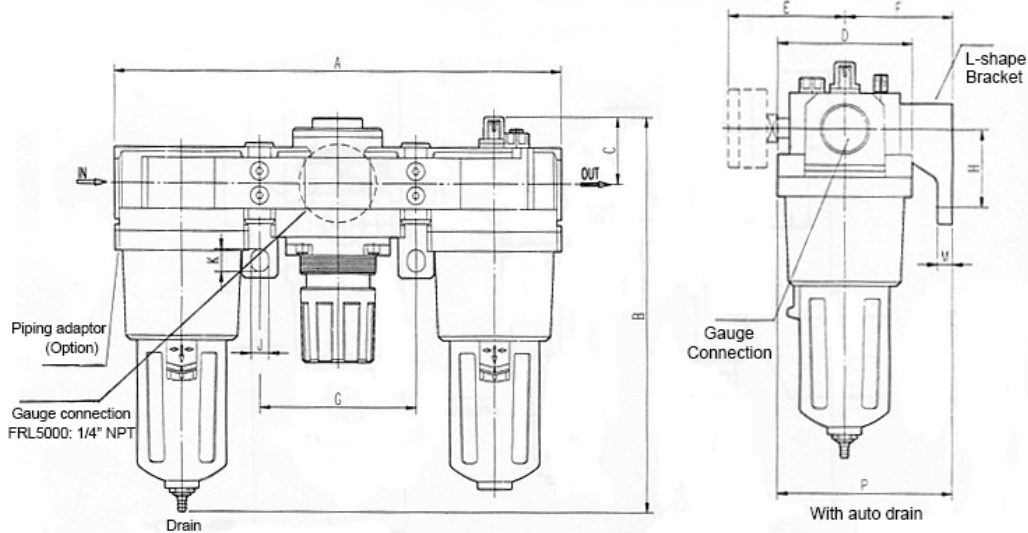
**Other Requests:**

- Third party notarized documents
- Tag
- Inspection report (issued by Re-Atlantis)

Dimension



FRL 3000/4000



FRL 5000

Model	Pipe joint bore	A	B	C	D	E	F	G	H	I	J	K	L	M	N	P	B (with auto drain)
FRL 3000	1/4", 3/8"	181	156.5	38	53	60.8	41	64	34	x	7	11	7	34.2	36*	70.5	182
FRL 4000	3/8", 1/2", 3/4"	238	191.5	41	70	65.5	50	84	50	x	9	13	7	42.2	33*	88	217
FRL 5000	3/4", 1"	300	267	45	90	75	70	105	50	x	12	15.5	-	50.2	-	100	297

Unit: mm