

**Main specifications**

- ▼Dimension  
FR 3000: 53 x 211 mm  
FR 4000: 70 x 262.5 mm  
FR 5000: 90 x 330 mm
- ▼Pipe joint bore  
Size:  
FR 3000: 1/4" , 3/8"  
FR 4000: 3/8" , 1/2" , 3/4"  
FR 5000: 3/4" , 1"  
Specification:  
G, PT, NPT
- ▼Gauge connection  
FR 3000: 1/8" NPT  
FR 4000: 1/4" NPT  
FR 5000: 1/4" NPT
- ▼Adjustable pressure range  
0.05 to 0.85MPa
- ▼Max adjustable pressure  
1.0Mpa
- ▼Operating temperature  
5 to 60°C

**Other Specifications**

- ▼Body material  
Aluminum die casting /  
Stainless steel
- ▼Container material  
Polycarbonate
- ▼Rated flow  
FR 3000 – 2000 L/min  
FR 4000 – 4000 L/min  
FR 5000 – 5500 L/min
- ▼Filtering element roughness  
20u / 40u (option)
- ▼Ensured pressure resistance  
1.5MPa
- ▼Drain function  
Differential drain /  
Automatic drain
- ▼Valve  
With overflow function

**Filter + Regulator**

**Model: FR 3000/4000/5000**

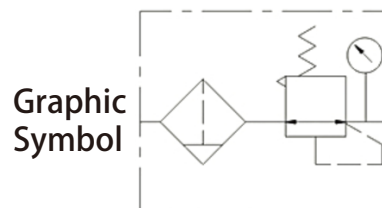
**Introduction**

FR units combined with pneumatic particulate / moisture separation gas line filters and adjustable pressure regulators are available for pneumatic gas line filtering and regulation applications all in a single convenient unit.



FR 3000/4000

FR 5000



Graphic Symbol

Due to the variety of customization, the picture is only for reference, please confirm the actual item with our sales. (If there is any change on specification, please take the latest version as standard.)

**Features**

- Filter +Regulator combined design
- With overflow function
- Attached with a mounting bracket
- Regulators come with a pressure gauge and protective cover
- Outsourcing parts were selected and tested very strictly to ensure its quality

**How to order**

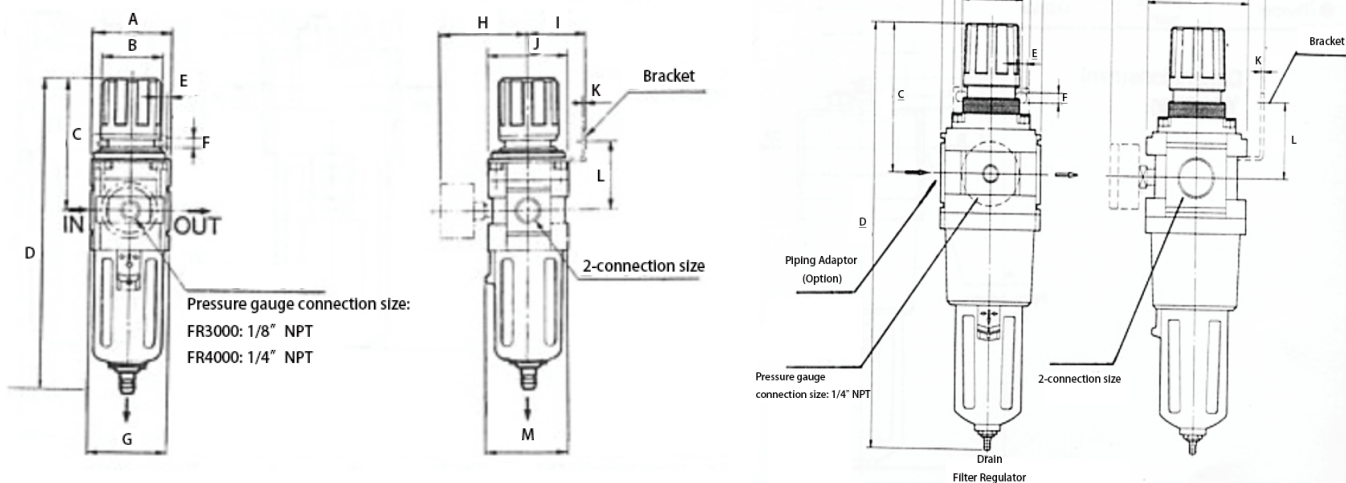
<u>FR</u>	<u>3000</u>		<u>2</u>	<u>PT</u>		<u>A</u>		<u>AD</u>
Model	Type	Code	Pipe joint bore size	Pipe joint bore spec.	Code	Body material	Code	Drain Type
FR	3000	2:	1/4"	G	A:	Aluminum	DD:	Differential Drain
	4000	3:	3/8"	PT	SS:	Stainless steel	AD:	Automatic Drain
	5000	4:	1/2"	NPT				
		6:	3/4"					
		10:	1"					

Order Example: FR - 3000 - 2 - PT - A - AD

**Other Requests:**

- Third party notarized documents
- Tag
- Inspection report (issued by Re-Atlantis)
- Filtering element roughness: 40u

## Dimension



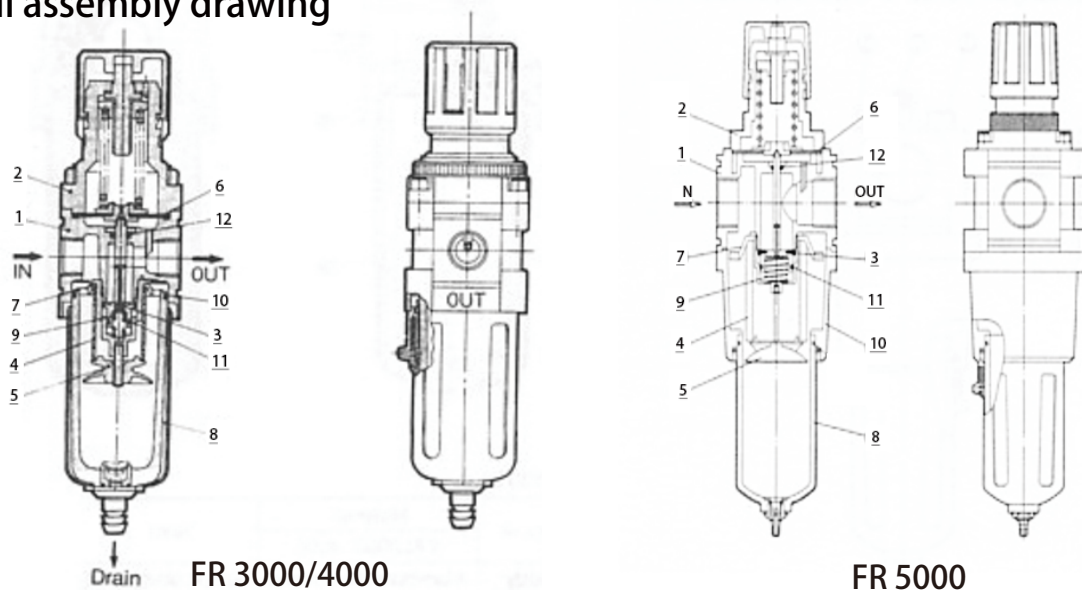
FR 3000/4000

FR 5000

Model	Pipe joint bore	A	B	C	D	E	F	G	H	I	J	K	L	M
FR 3000	G1/4", 3/8"	53	40	92.5	211	8	6.5	53	60.8	41	53	2.3	46	56
FR 4000	G3/8", 1/2", 3/4"	70	54	112	262.5	10.5	8.5	70	70.5	50	70	2.3	54	73
FR 5000	G3/4", 1"	90	70	120	330	10.5	8.5	54	75	47	90	2.3	63	x

Unit: mm

## Detail assembly drawing



FR 3000/4000

FR 5000

## Main parts

No.	Part name	Material		
		FR 3000	FR 4000	FR 5000
1	Body	Aluminum die casting with platinum silver painting		
2	Bonnet	Polyaceta	Aluminum die casting with black painting	

## Spare parts

No.	Part name	Material		
		FR 3000	FR 4000	FR 5000
3	Body	Brass, NBR		
4	Bonnet	Bronze		
5	Baffle	ABS		
6	Diaphragm assembly	NBR		
7	Deflector	ABS		
8	Bowl assembly	Polycarbonate		
9	Valve spring	Stainless steel		
10	Case O-ring	NBR		
11	Valve O-ring	NBR		
12	O-ring	NBR		