

Main Specifications	Other specifications
<p>▼Pressure connection</p> <p>Flush diaphragm connection</p> <p>Material: SS316L</p> <p>Specification: 2" / 2.5" / 3" Clamp</p> <p>▼Electrical connector</p> <p>Hirschmann connector / 2088 housing (*1)</p> <p>▼Pressure range</p> <p>0...70kPa to 10MPa</p> <p>▼Pressure type</p> <p>Gauge pressure / Absolute pressure / Sealed pressure</p> <p>▼Applicable media</p> <p>Corrosive / viscous fluid that compatible with SS316L</p> <p>▼Operating temperature</p> <p>Normal Type ▼ -40 to 85°C</p> <p>With cooling fin Type ▼: -40 to 150°C</p> <p>▼Storage temperature</p> <p>-40 to 125°C</p> <p>▼Protection level</p> <p>IP65</p>	<p>▼Case material</p> <p>SS304</p> <p>▼Clamp material</p> <p>SS316L</p> <p>▼Diaphragm material</p> <p>SS316L</p> <p>▼Power supply</p> <p>12 / 24VDC</p> <p>▼Output signal</p> <p>2-wire: 4~20mA</p> <p>3-wire: 0-5V / 0-10V</p> <p>▼Accuracy</p> <p>0.5%</p> <p>▼Zero drift</p> <p>±2%F.S. (@-20 to 85°C)</p> <p>▼Insulation</p> <p>100MΩ / 250VDC</p> <p>▼Response time</p> <p>≤1ms (increasing to 90%F.S.)</p> <p>▼Stability</p> <p>±0.2%F.S./year</p> <p>▼Vibration resistance</p> <p>20g (20~5000Hz)</p> <p>▼Impact resistance</p> <p>100g (11ms)</p> <p>▼Overpressure</p> <p>1.5*F.S.</p> <p>▼Other requests (Option)</p> <p>Third party notarized documents</p> <p>Inspection report</p> <p>Tag</p>

Clamped Flush Diaphragm Pressure Transmitter

Model: FDPT-500 Series

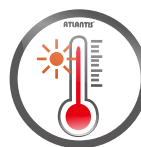
Introduction

FDPT-500 adopts a piezoresistive silicon pressure sensor with the flush diaphragm as its measuring elements. The blind space has been eliminated to prevent impurity or viscosity generated. The features make FDPT-500 transmitter suitable for the sanitary required environment such as food, pharmaceuticals, and wine industry.



Standard type

With cooling fins x3



Due to the variety of customization, the picture is only for reference, please confirm the actual item with our sales. (If there is any change on specification, please take the latest version as standard.)

Features

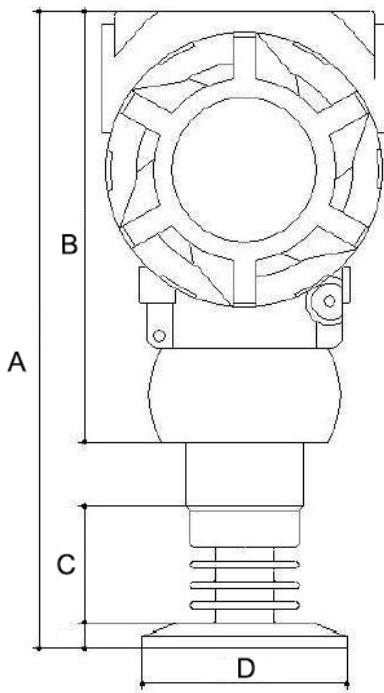
- OEM service
- The flush diaphragm connection design can prevent impurity generated
- Specially designed for high sanitary requirement
- Integrated stainless steel structure
- Compact design, easy installation
- High anti-impact and anti-vibration performance
- Various output signals for selection

(*1): 2088 housing has cooling fin as standard structure.



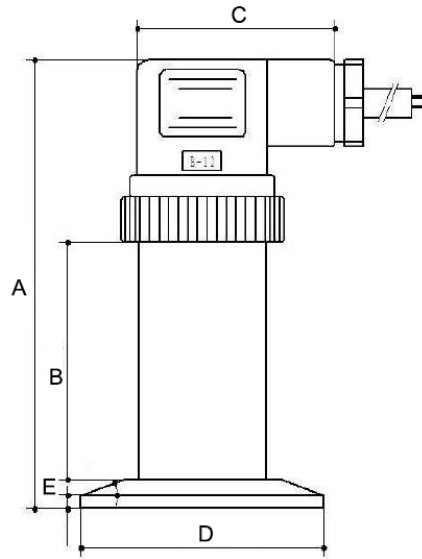
2088 housing

Electrical connector



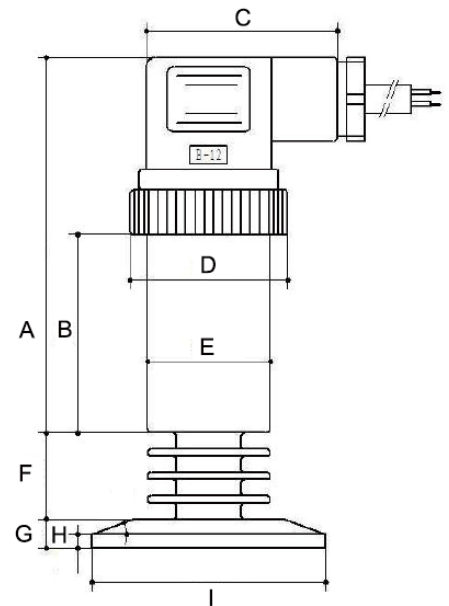
cooling fins * 3

2088 housing



Without cooling fin
Media temp -40~85°C

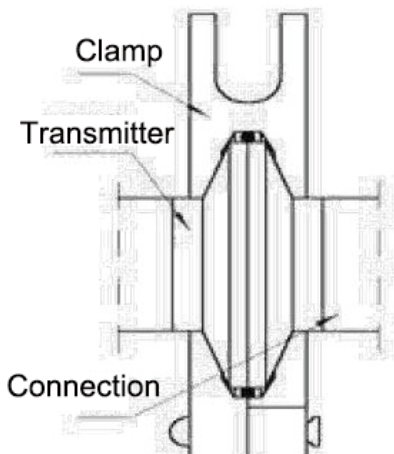
Hirschmann



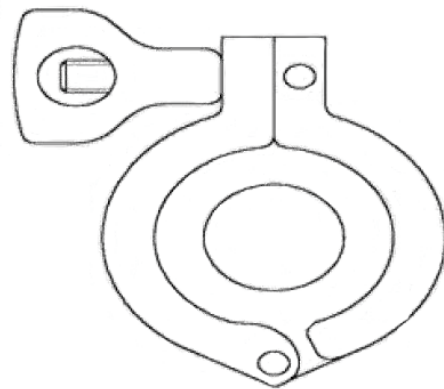
Cooling fins * 3
Media temp -40~150°C

Hirschmann
With cooling fins x3

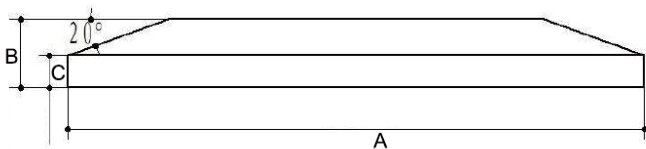
Transmitter structure



Clamp structure



Clamp dimension



How to order

FDPT-500		Clamp Flush Diaphragm Pressure Transmitter						
Code	Pressure range							
Custom	0~70kPa to 10MPa							
Code	Pressure type							
G	Gauge pressure							
A	Absolute pressure							
S	Sealed pressure							
Code	Pressure connection							
2C	2" Clamp							
25C	2.5" Clamp							
3C	3" Clamp							
Code	Electrical connector							
H	Hirschmann connector							
2088	2088 housing (*1)							
Code	Output signal							
2A	4~20mA							
3V1	1~5V							
3V0	0~5V							
Code	Cooling fin							
N	None							
Y	Cooling fin x3							
Code	Power supply							
24	24VDC							
12	12VDC							
FDPT-500	0~70kPa	G	2C	H	2A	N	24	Order example: FDPT-500-(0~70kPa)-G-2C-H-2A-N-24