

Main Specifications

▼ **Size**
3.2"

▼ **Dimension**
180 x 245 x 75mm

▼ **Pressure connection**
1/4" SAE x4
3/8" SAE x1

▼ **Pressure range**
Pressure: 0...725 psi
Vacuum pressure:
-29.5...0 inHg

▼ **Applicable refrigerants**
9 types
R22, R134A, R1234yf, R290,
R404A, R407C, R410A, R32,
R507
Not applicable to R171
(ammonia) and ammonia-
contained refrigerants

▼ **Ambient temperature**
-10 to 50°C / -44 to 122°F

▼ **Storage temperature**
-20 to 60°C / -4 to 140°F

▼ **Ambient humidity**
10~90% RH

▼ **Accessory**
Blue refrigeration pipe x1
Yellow refrigeration pipe x1
Red refrigeration pipe x1

Other Specifications

▼ **Housing material**
ABS/PC/TPE

▼ **Screen display**
4-digit LCD with backlight
Screen size: 43 (W) x 24 (H)
Switchable pressure unit:
psi, bar, kPa, MPa, kg/cm²
Switchable temperature
units: °C / °F

▼ **Refresh rate**
1 sec/times

▼ **Resolution**
Pressure: 1psi / 0.1bar / 10kPa /
0.01MPa / 0.1kg/cm²
Vacuum pressure: 0.5inHg

▼ **Accuracy**
Pressure: ±2psi / ±0.2bar /
±20kPa / ±0.02MPa /
±0.2kg/cm²
Vacuum pressure: ±1inHg

▼ **Power supply**
9V LR battery x1
Continuous working hours:
20 hrs

▼ **Maximum pressure**
1.5x F.S.

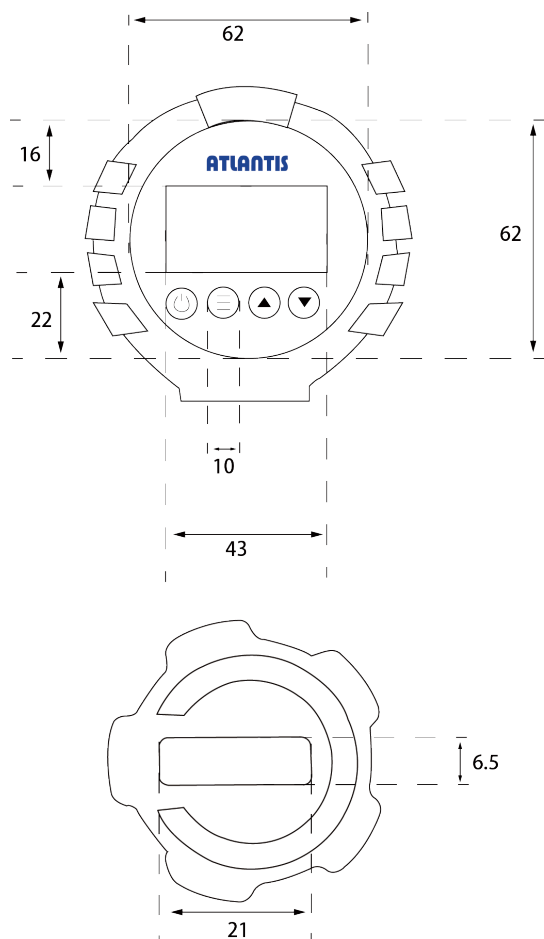
▼ **Weight**
1035g (exclude battery)

Digital Refrigeration Gauge (Dual Gauge Type) Model: FDPG-2-S1 Introduction

FDPG-2-S1 dual digital refrigeration gauge can simultaneously display pressure and temperature on LCD screen. It also applicable to measure vacuum pressure. FDPG-2-S1 is suitable in pressure and temperature measurement for non-corrosive refrigeration, liquid and alcohols. It has been widely applied in vacuum refrigeration system assembly and maintenance operation.



Dimension



Due to the variety of customization, the picture is only for reference, please confirm the actual item with our sales. (If there is any change on specification, please take the latest version as standard.)

Features

- Dual digital refrigeration gauge with four 1/4" SAE and one 3/8" SAE connections to separately display pressure and temperature from different refrigerant source
- Maximum measurable pressure 725psi
- The hook design ensures easy-storage and prevents gauge from external impact.
- 9 types of applicable refrigerants
- 4-digit LCD screen with backlight, high refresh rate
- Auto switch unit to inHg once vacuum pressure is detected