

Main Specifications

- ▼ **Size**
2.5"
- ▼ **Installation type**
Bottom mount (A) /
Back mount with front flange
(Centric thread) (BDC)
- ▼ **Liquid-filling**
Glycerin
- ▼ **Window**
PC
- ▼ **Pressure connection**
Material: copper alloy
Bottom mount: 1/8" NPT
Back mount:
7/16" UNF (1/4" SAE)
Other specifications available
upon request.
- ▼ **Pressure range**
Low pressure gauge ▼
-76cmHg...0... 125 to 250 psi
-76cmHg...0... 250 to 500 psi
High pressure gauge ▼
0 ... 500psi to 800 psi
- ▼ **Applicable refrigeration**
R12 / R22 / R502 / R404A /
R410A / R507 / R134a
For other special refrigerant
measurement please specify
before orde
- ▼ **Ambient temperature**
-40°C to +60°C
- ▼ **Fluid temperature**
+60°C
- ▼ **Temperature error**
Every 12°C
max. error ±0.3% F.S
- ▼ **Protection level**
IP65

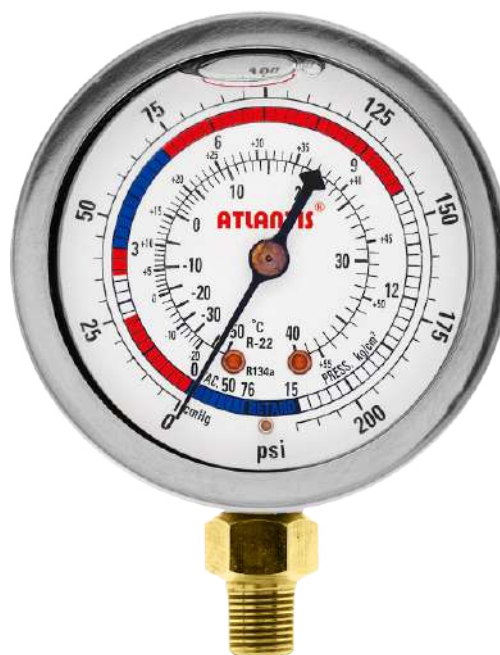
Other Specifications

- ▼ **Ring**
Stainless steel
- ▼ **Ring mount**
Crimp
- ▼ **Case**
SS304
- ▼ **Pointer**
Aluminum with black enamel
- ▼ **Dial face**
Special dial face designed for
refrigeration gauge
Refrigerant-temperature
corresponding scale
Pressure unit (custom):
kg/cm², psi, bar, kPa,
Temperature unit:
°C, °F
Adjustable screw on dial face
- ▼ **Measuring elements**
Bourdon tube
Material:
Bronze (High pressure) /
Phosphor bronze (Low pressure)
- ▼ **Movement**
Copper alloy
- ▼ **Accuracy**
±2.5%
- ▼ **Operating pressure**
Stabilization 3/4* full scale
Fluctuation 2/3* full scale
Impulse 1* full scale

Stainless Steel Case Refrigeration Gauge (Liquid-Filling Type) Model: F-L

Introduction

F-L mechanical refrigeration pressure gauge adopts special dial face with various refrigerants application. The liquid-filling type provides excellent shockproof performance with longer service life.



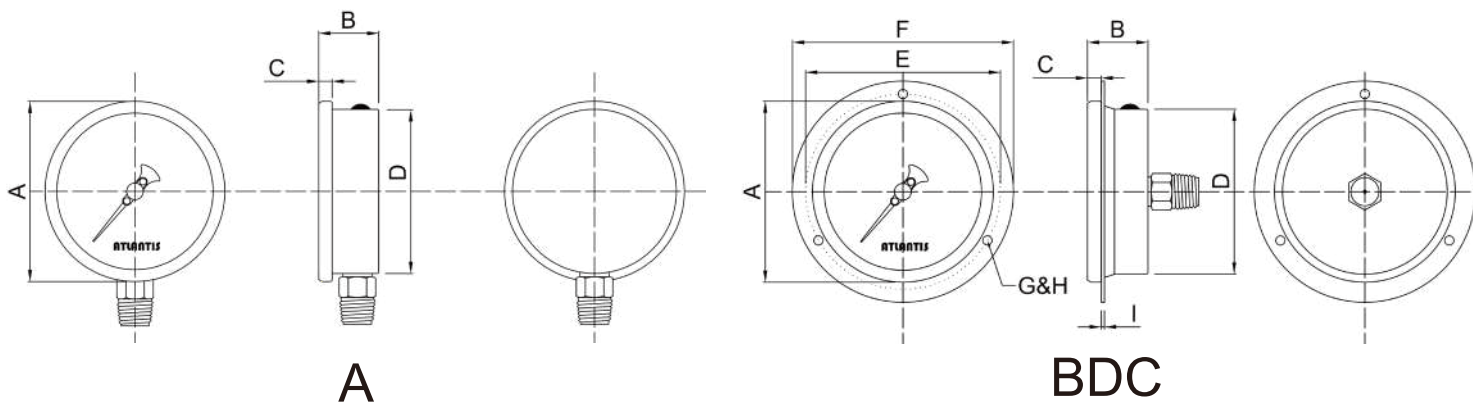
Due to the variety of customization, the picture is only for reference, please confirm the actual item with our sales. (If there is any change on specification, please take the latest version as standard.)



Features

- OEM service
- All stainless steel case
- Liquid-filling inside the gauge to improve vibration-proof performance and service life
- Suitable for various refrigerant measurement – R12 / R22 / R404A / R410A / R502 / R507 / R134a
- Special dial for refrigeration gauge
- Low pressure refrigerant gauge with buffer
- Various of connection specifications and installation type

Installation type



How to order

| F-L | | Stainless Steel Case Refrigeration Gauge (Liquid-Filling Type) | | | |
|--------|-----|--|-----------------|-----|--|
| Code | | Installation type | | | |
| A | | Bottom mount | | | |
| BDC | | Back mount with front flange (Centric thread) | | | |
| Code | | Pressure connection | | | |
| 1N | | 1/8" NPT (only available for bottom mount) | | | |
| UNF | | 7/16" UNF (1/4" SAE) (only available for back mount type) | | | |
| O | | Others (please specify) | | | |
| Code | | Refrigerant type (custom) | | | |
| Custom | | R12 / R22 / R502 / R404A / R410A / R507 / R134a | | | |
| O | | Other type of refrigerant please specify | | | |
| Code | | Case material | | | |
| 304 | | SS304 | | | |
| 316 | | SS316 | | | |
| O | | Others | | | |
| Code | | Other demands | | | |
| /A | | Third party notarized documents | | | |
| /B | | Inspection report | | | |
| /C | | Tag | | | |
| /D | | Peak hold pointer | | | |
| /E | | Chrome-plated thread | | | |
| /F | | Epoxy coating | | | |
| /G | | Customized dial face (scale, color, etc.) | | | |
| /H | | Internal stop pin for overpressure protection | | | |
| /I | | Indicator (red, green, yellow) <Only available for back mount type> | | | |
| /J | | Accuracy ± 1.6% | | | |
| F-L | BDC | UNF | R22/R404A/R134a | 304 | Order example: F-L-BDC-UNF-R22/R404A/R134a-304 |