

Main Specifications

- ▼ **Size**
2.5"
- ▼ **Installation type**
Bottom mount (A) /
Back mount with flange (BDC)
- ▼ **Window**
PC
- ▼ **Pressure connection**
Material: copper alloy
Bottom mount: 1/8" NPT
Back mount: 7/16" UNF
(1/4" SAE)
Other thread spec. are available upon request
- ▼ **Pressure range**
Low pressure gauge ▼
-76cmHg...0... 125 to 250 psi
-76cmHg...0... 250 to 500 psi
High pressure gauge ▼
0 ... 500psi to 800 psi
- ▼ **Applicable refrigerants**
R12 / R22 / R502 / R404A /
R410A / R507 / R134a
For other special refrigerant measurement requirement please specify before order
- ▼ **Ambient temperature**
-40°C to +60°C
- ▼ **Fluid temperature**
+60°C
- ▼ **Temperature error**
Every 12°C
max. error: ±0.3% F.S
- ▼ **Protection level**
IP52

Other Specifications

- ▼ **Ring**
Steel with black enamel
Snap-in
- ▼ **Case**
Red for high pressure gauge
Blue for low pressure gauge
Bottom mount material ▼
Steel with black enamel /
Chrome-plated steel
Back mount material ▼
Steel with black enamel / ABS
- ▼ **Pointer**
Aluminum with black enamel
- ▼ **Dial face**
Special dial face for refrigeration gauge
Refrigerant-temperature corresponding scale
Pressure unit (custom):
kg/cm², psi, bar, kPa,
Temperature unit:
°C, °F
With adjustable screw
- ▼ **Measuring elements**
Bourdon tube
Material:
Bronze (high pressure) /
Phosphor bronze (low pressure)
- ▼ **Movement**
Copper alloy
- ▼ **Accuracy**
±2.5%
- ▼ **Operating pressure**
Stabilization 3/4* full scale
Fluctuation 2/3* full scale
Impulse 1* full scale

**Black Steel Case
Refrigeration Gauge**

Model: F-EPG

Introduction

F-EPG mechanical refrigeration pressure gauge adopts special dial face with various refrigerants application. It has widely applied in a variety of refrigeration systems pressure measurement, such as air conditioning, refrigerant filling equipment.



Back mount



Due to the variety of customization, the picture is only for reference, please confirm the actual item with our sales. (If there is any change on specification, please take the latest version as standard.)

Features

- OEM service
- Affordable price
- Suitable for various refrigerant measurement - R12 / R22 / R404A / R410A / R502 / R507 / R134a
- Special dial face for refrigeration gauge
- Retard scale on dial face for low pressure gauge
- Various thread specifications and installation type available for selection

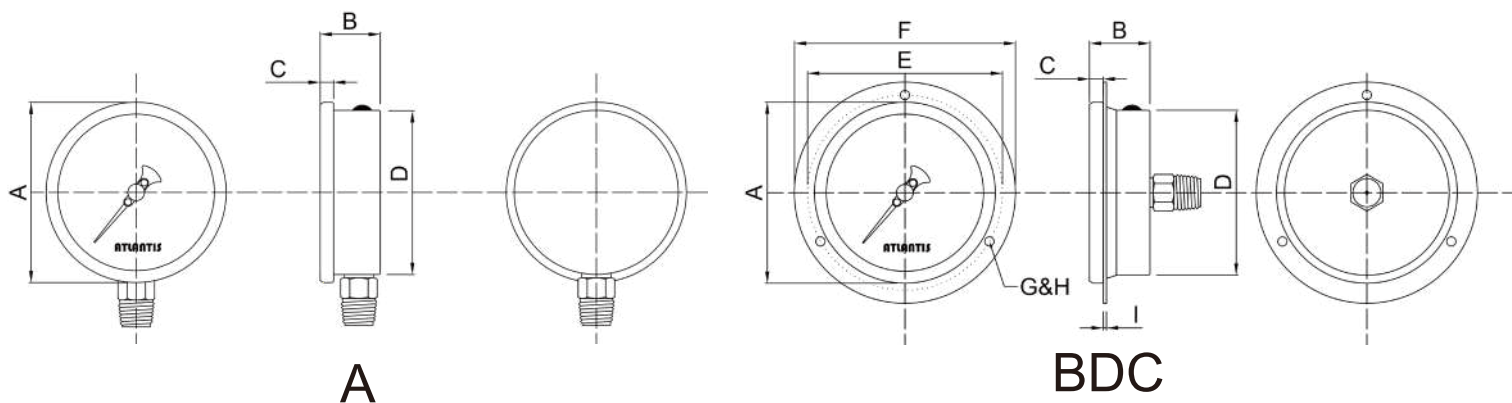


Low pressure gauge



High pressure gauge

Installation type



How to order

F-EPG		Black Steel Case Refrigeration Gauge			
Code	Installation type				
A	Bottom mount				
BDC	Back mount with flange				
Code	Pressure connection				
1N	1/8" NPT (Only available for bottom mount type)				
UNF	7/16" UNF (1/4" SAE) (Only available for back mount type)				
O	Others (please specify)				
Code	Refrigerant type (Custom)				
Custom	R12 / R22 / R502 / R404A / R410A / R507 / R134a				
O	Other type of refrigerant please specify				
Code	Case				
EP	Steel with black enamel				
PP	Plastic (Only available for bottom mount type)				
EC	Chrome-plated steel (Only available for back mount type)				
Code	Other demands				
/A	Third party notarized documents				
/B	Inspection report				
/C	Tag				
/D	Peak hold pointer				
/E	Chrome-plated thread				
/F	Epoxy coating				
/G	Customized dial (Scale, color, etc.)				
/H	Internal stop pin (Overpressure protection)				
/I	Indicator (Red, green, yellow) <Only available for back mount type>				
/J	Accuracy ± 1.6%				
F-EPG	BDC	UNF	R22/R404A/R134a	EP	Example: F-EPG-BDC-UNF-R22/R404A/R134a-EP