

Main Specifications

- ▼ **Size**
3" , 4" , 6"
- ▼ **Installation type**
Bottom mount (A) /
Bottom mount with flange (B)/
Back mount with flange e
(Eccentric thread) (BDE)
- ▼ **Window**
Acrylic
With external screw adjustment
- ▼ **Pressure connection**
Material: SS316 (standard)
Thread size: 1/4" , 3/8" , 1/2"
Thread type: BSPT, NPT, PF
- ▼ **Pressure range**
Gauge pressure ▼
0...0.6 to 1600 bar
Negative pressure ▼
-1...0bar / -76...0cmHg
Compound pressure ▼
-1...0 to 20bar
- ▼ **Applicable fluid**
Liquid and gas that compatible
with connection's material
- ▼ **Ambient temperature**
-40°C to +60°C
- ▼ **Fluid temperature**
+100°C
- ▼ **Liquid-filling**
Glycerin
(For concealed magnet base
with junction box type only)
- ▼ **Temperature drift**
20°C as standard, every ±8°C
max. error: ±0.5% F.S.
- ▼ **Protection level**
IP54 (standard) / IP65 (option)

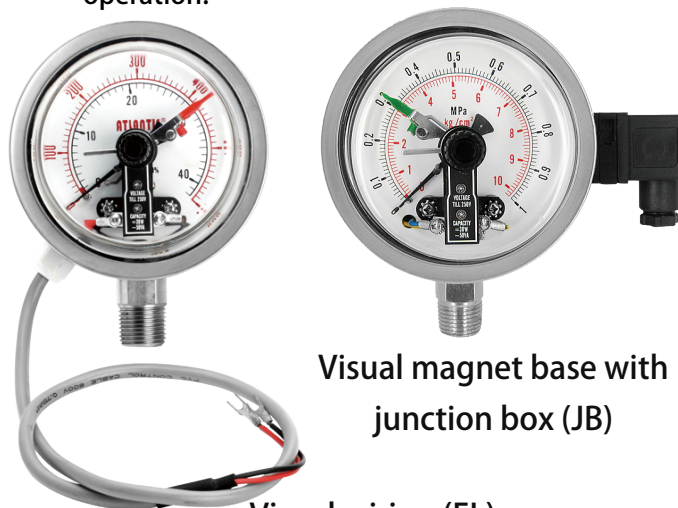
Other Specifications

- ▼ **Ring material**
Stainless steel
- ▼ **Ring mount**
Visual type:
Outside bayonet
Concealed type:
Inside bayonet
Adjustable set point
- ▼ **Case material**
SS 304
- ▼ **Wiring type**
Visual wiring (FL) /
Visual magnet base with
junction box (JB) /
Concealed magnet base with
junction box (H)
(Only available for 4&6")
- ▼ **Switch contact type**
Sliding Switch SPST (NC / NO)
- ▼ **Contact function**
Single contact N.O. (1a)/
Single contact N.C. (1b)/
Double contacts N.O.+N.C. (1a1b) /
Double contacts N.C.+N.O. (1b1a) /
Double contacts N.O.x2 (2a) /
Double contacts N.C.x2 (2b)
For more information please refer
to single / double contacts wiring
- ▼ **Contact material**
80% silver, 20% nickel, 10µm
gold-plated (>110V)
Gold (≤36V)
- ▼ **Number of contact**
SPSTx1 / SPSTx2 / SPSTx4
- ▼ **Pointer**
Aluminum with black enamel
- ▼ **Dial face**
Red and black scale
Pressure unit, scale, and color
can be customized upon
request
- ▼ **Measuring elements**
Bourdon tube
Material: SS316
- ▼ **Protection design (option)**
Install a blow out back
(Only available for 4")
- ▼ **Movement**
Stainless steel
- ▼ **Gauge accuracy**
±2.5%F.S. (Standard)
Option: ±1.6%F.S. / ±1.0%F.S.
- ▼ **Set point accuracy**
±3.0%F.S.~±6.0%F.S.
- ▼ **Operating pressure**
Stabilization: 3/4* F.S.
Fluctuation: 3/4* F.S.
Impulse: 1* F.S.

Pressure Gauge with Electrical Contact (Sliding Switch Type) Model: ECS

Introduction

ECS pressure gauge with contact has buzzer alarm function, the indicator light flashing and relay can be added to control and ensure the safety of pressure operation.



Due to the variety of customization, the picture is only for reference, please confirm the actual item with our sales. (If there is any change on specification, please take the latest version as standard.)

Features

- OEM service (No oil-filling).
- The SPST sliding switch can be installed on 3" / 4" / 6" pressure gauge, suitable for various pressure control application.
- Visual / Concealed wiring types for selection (No control elements and additional power supply required.).
- Compared with magnetic reed switch, the gauge pressure of ECS sliding switch is ± 1.0, contacts max. limit are 3.

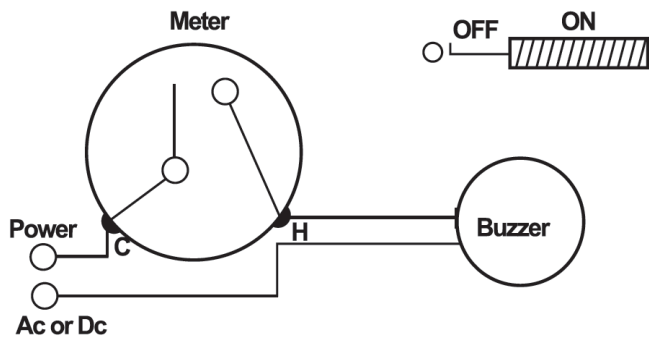
Power parameter

Voltage	DC	AC	Inductive load
230V	100mA	120mA	65mA
110V	200mA	240mA	130mA
50V	300mA	450mA	200mA
24V	400mA	600mA	250mA
Switch capacitor 18W / ~30VA			

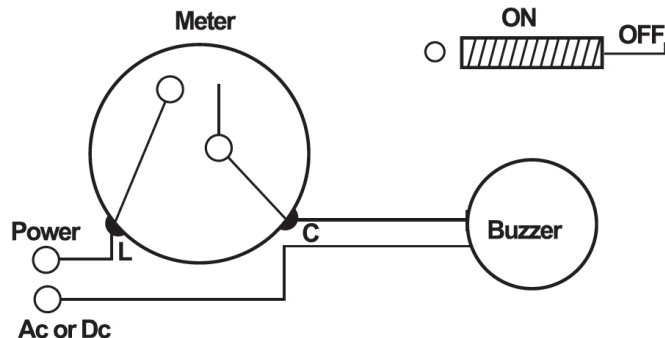


Concealed magnet base with junction box (H)

The type of contact wire



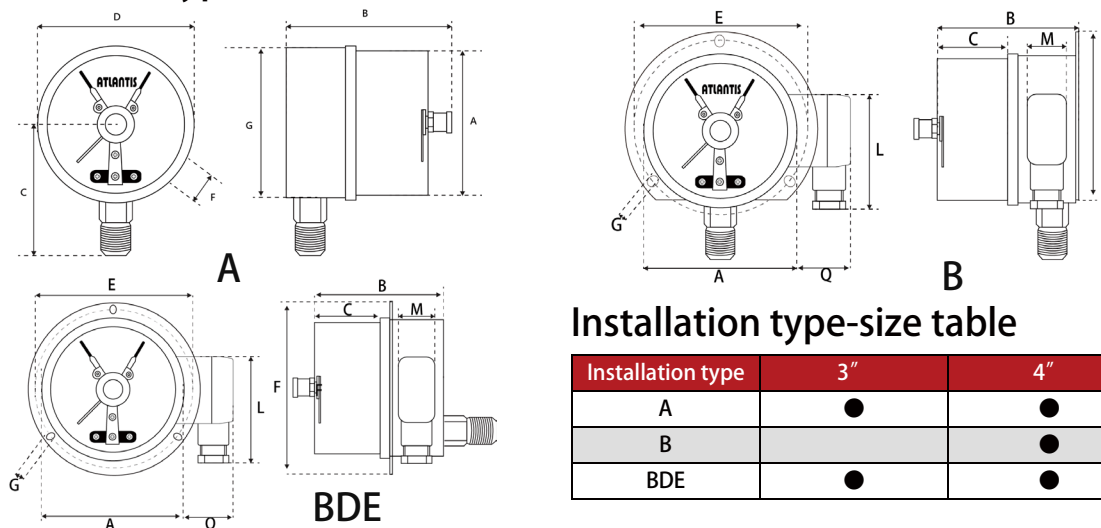
Single contact N.O. (1a)



Single contact N.C. (1b)

Double contacts		
<p>Diagram illustrating a Double contact configuration (1a1b). The meter has contacts 1, 2, and 4. The circuit shows contacts H (Red), C (Black), and L (Green) connected to loads and power.</p>	<p>When the pressure indicator reaches left set point (green pointer), "1" contact breaks (circuit open); When the pressure indicator reaches right set point (red pointer), "2" contact makes (circuit close) (NC+NO) <Positive pressure: left→right> Switch mode: SPST X 2</p>	<p>1a1b</p>
<p>Diagram illustrating a Double contact configuration (1b1a). The meter has contacts 2, 4, and 1. The circuit shows contacts H (Green), C (Black), and L (Red) connected to loads and power.</p>	<p>When the pressure indicator reaches left set point (red pointer), "1" contact makes (circuit close) When the pressure indicator reaches right set point (green pointer), "2" contact breaks (circuit open) (NO+NC) <Positive pressure: left→right> Switch mode: SPST X 2</p>	<p>1b1a</p>
<p>Diagram illustrating a Double contact configuration (2a). The meter has contacts 4, 2, and 1. The circuit shows contacts H1 (Yellow), C (Black), and H2 (Red) connected to loads and power.</p>	<p>When the pressure indicator reaches left set point (yellow pointer), "1" contact makes (circuit close) When the pressure indicator reaches right set point (red pointer), "2" contact makes (circuit close) (NO x 2) <Positive pressure: left→right> Switch mode: SPST X 2</p>	<p>2a</p>
<p>Diagram illustrating a Double contact configuration (2b). The meter has contacts 1, 2, and 4. The circuit shows contacts L1 (Green), C (Black), and L2 (Yellow) connected to loads and power.</p>	<p>When the pressure indicator reaches left set point (green pointer), "1" contact breaks (circuit open) When the pressure indicator reaches right set point (yellow pointer), "2" contact breaks (circuit open) (NC x 2) <Positive pressure: left→right> Switch mode: SPST X 2</p>	<p>2b</p>

Installation types



Installation type-size table

Installation type	3"	4"	6"
A	●	●	●
B		●	
BDE	●	●	●

How to order

ECS Pressure Gauge with Electrical Contact (Sliding Switch Type)

Std.	Spec.	Code	Item	Code	Item	Code	Item	Code	Item
04	Size	03	3"	04	4"	06	6"	-	-
FL	Wiring type	FL	Visual wiring	JB	Visual magnet base with junction box	H	Concealed magnet base with junction box (Only for 4&6")	-	-
A	Installation type	A	Bottom mount	B	Bottom mount with flange	BDE	Back mount with flange (Eccentric thread)	-	-
1a1b	Contact function	1a	N.O.	1b	N.C.	1a1b	N.O.+N.C.	1b1a	N.C.+N.O.
		2a	N.O.x2	2b	N.C.x2	-	-	-	-
2	Number of contacts	1	SPSTx1	2	SPSTx2	4	SPSTx4	-	-
316	Connection material	316	SS316	O	Others	-	-	-	-
316	Bourdon tube material	316	SS316	O	Others	-	-	-	-
2	Thread size	2	1/4"	3	3/8"	4	1/2"	O	Others
N	Thread type	P	BSPT	N	NPT	F	PF	O	Others
Custom	Pressure range	Gauge pressure - (0...0.6 to 1600bar) Negative pressure - (-1...0bar) Compound pressure - (-1...0...0.6 to 20bar) Customized pressure unit (psi, bar, kPa, kg/cm2, MPa, inHg, mmHg, cmHg, etc...), single / dual scale							
C	Accuracy	A	±1.0%F.S.	B	±1.6% F.S.	C	±2.5% F.S.	-	-
N	Liquid-filling (Only for concealed wiring type)	N	Dry	G	Glycerin	O	Other liquids	-	-
/D	Other requests	/A	Third party notarized documents			/B	Inspection report		
		/C	Tag			/D	Customized dial face (scale, color, unit, etc.)		
		/E	Install a diaphragm seal			/F	Internal stop pin for overpressure protection		
		/G	Dampened movement			/H	Epoxy coating		
		/I	Peak hold pointer			/J	Case material SS316		
		/K	Max. voltage AC 380 V			/L	High pressure Bourdon tube: max. pressure 1600bar		
		/M	Install a blow out back			/N	Switch type SPDT		
		/O	Contact material: platinum-iridium alloy			/P	Contact material: pure silver 999		

Order example: ECS - 04 - FL - A - 1a1b - 2 - 316 - 316 - 2 - N - (0...10bar) - C - N + /D