

Main specification

- ▼ Gauge size
4"
- ▼ Type
DSHD - Rigid stem type
DSHR - Remote reading type
- ▼ Process connection
Material: stainless steel
1/2" -20UNF, M14×1.5,
M18×1.5, M22×1.5
Other thread type available upon request
- ▼ Pressure range
0...16 to 1000bar
0...35 to 70 MPa (option)
- ▼ Rigid length
152mm (standard)
Option: 81 / 301mm
- ▼ Stem direction
Stem-down (standard)
Stem-up (option)
- ▼ Capillary length (DSHR only)
4M (standard)
- ▼ Media temperature
300°C (DSHD)
400°C (DSHR)

Other specification

- ▼ Case
Stainless steel
- ▼ Measuring elements
Bourdon tube
- ▼ Accuracy
±1.5%F.S. / ±1.0%F.S.
- ▼ Repeatability & hysteresis
±0.25%F.S.
- ▼ Overpressure
1.5*F.S.
- ▼ Other requests
Third party notarized document
Inspection report
Tag
Stem-up direction

Melt Pressure Gauge

Model: DSH Series

Introduction

DSH series melt pressure gauge adopt high-quality Bourdon tube and special design to ensure great performance, which is an ideal choice for pressure measuring in high temperature environment.



DSHR

DSHD

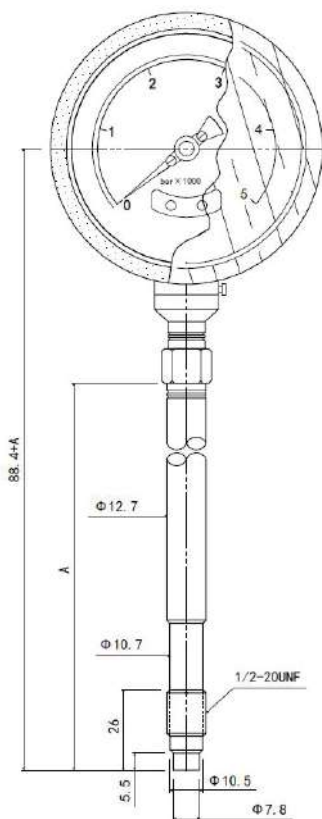


Due to the variety of customization, the picture is only for reference, please confirm the actual item with our sales. (If there is any change on specification, please take the latest version as standard.)

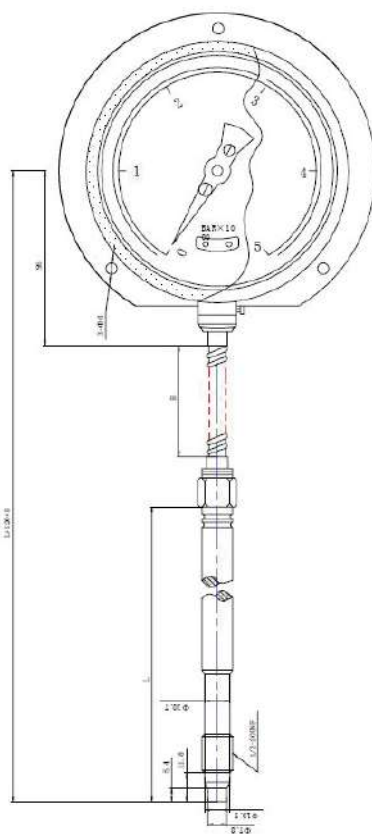
Features

- Rigid stem / remote reading type available
- Stem-up / Stem-down direction available
- Media temp. 300°C for DSHD and 400°C for DSHR
- Diaphragm isolated structure
- 270° free whirling reading
- Zero adjustment
- Easy installation, high performance

Dimension

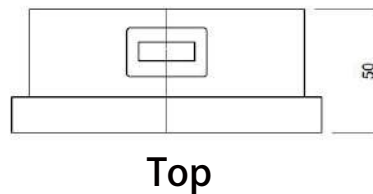
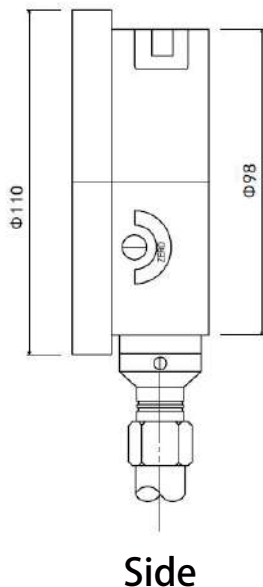
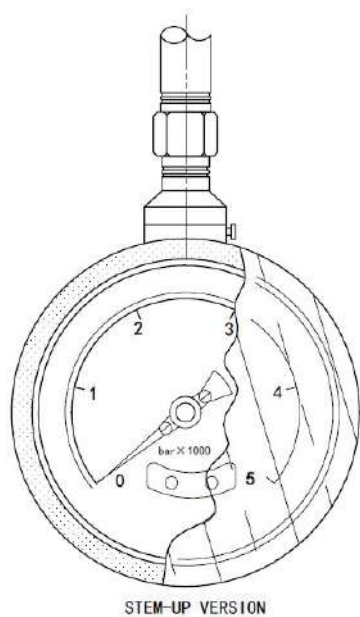


DSHD

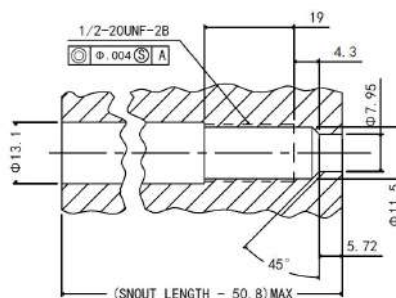


DSHR

Dimension



Top



Process connection
1/2" -20UNF

How to order

DSH-Series Melt Pressure Gauge									
Std.	Spec.	Code	Item	Code	Item	Code	Item	Code	Item
DSHR	Type	DSHD	DSHD	DSHR	DSHR	-	-	-	-
4UNF	Process connection	4UNF O	1/2" -20UNF Others	M14 -	M14×1.5 -	M18 -	M18×1.5 -	M22 -	M22×1.5 -
Custom	Pressure range	0...16 to 1000bar 0...35 to 70 MPa							
152	Rigid length	152	152mm	81	81mm	301	301mm	-	-
4M	Capillary length	4M	4M	N	None	-	-	-	-
15	Accuracy	15	±1.5%F.S.	10	±1.0%F.S.	-	-	-	-
/B	Other requests	/A	Third party notarized document						
		/B	Inspection report						
		/C	Tag						
		/D	Stem-up direction						

Order example: DSHR - 4UNF - (0...300bar) - 152 - 4M - 15 - /B