

Main Specifications

▼ **Gauge size**
 Ø2.5" (63.5mm)

▼ **Screen size**
 35.5 x 18mm

▼ **Pressure connection**
 Material: SS316
 1/4" PT
 1/4" NPT
 Other thread spec. available upon request

▼ **Pressure range**
 Please refer to pressure range table

▼ **Alarm output (option)**
 NPN x2 / PNP x2 / Relay x2

▼ **Analog output (option)**
 1~5V / 4-20mA

▼ **RS485 (option)**
 Address: "01" ~ "FF" (0~255)
 Baud rate:
 19200/9600/4800/2400
 Protocol: Modbus RTU

▼ **Screen display**
 Bright red / green 0.4" LED

▼ **Power supply**
 DC 14-30V

▼ **Applicable fluid**
 Liquid and gas that compatible with SS 316

▼ **Operating temperature**
 -10°C to +60°C

▼ **Media temperature**
 -30 to +80°C

▼ **Storage temperature**
 -30 to +80°C

▼ **Ambient humidity**
 ≤95% R.H.

▼ **Atmospheric pressure**
 860...1060 mbar

▼ **Protection level**
 IP65

▼ **CE certificate**
 EN 55022:1988/A1:2000 Class A
 EN 61000-3-2:2000
 EN 61000-3-3:1995/A1:2001
 EN 55024:1998/A1:2001

Other Specifications

▼ **Display material**
 NYLON66+PBT+15%GF
 (UL94V-0)

▼ **Sealing material**
 < 16 bar: NBR,
 > 16 bar: PVDF

▼ **Reading display range**
 5-digit -19999~99999

▼ **Refresh rate**
 0.1~9.9 secs

▼ **Memory mode**
 Non-volatile EEPROM

▼ **Parameter setting**
 Touch buttons

▼ **Accuracy**
 0.5%F.S. (Max. 0.25%F.S.)

▼ **Pressure unit**
 bar, kg/cm², kPa, MPa, psi, mmHg, inHg

▼ **Overpressure**
 < 60 bar: 2*F.S.
 > 60 bar: 1.5*F.S.

▼ **Burst pressure**
 < 160 bar: 3*F.S.
 > 250 bar: 1.8*F.S.

▼ **Relay output mode**
 HI / LO / GO / HL

▼ **Relay contact rating**
 AC 250V-5A
 DC: 30V-7A

▼ **Transistor output**
 Max.: DC 60V/100mA

▼ **Measuring elements**
 Ceramic A12O3-96%
 SS316

▼ **Response time**
 < 50ms (0~90%)

▼ **Output drive capability**
 Voltage mode: 10mA
 Current mode: 10V

▼ **Thermal span/zero shift**
 ±0.05% / 10°C

▼ **Zero point long-term stability (@23±5°C)**
 < 60 bar: ±0.1%/year
 > 60 bar: ±0.15%/year

▼ **Weight**
 380g (include wire)

Multifunction Pressure Switch

Model: DPS-2.5SPD3



Due to the variety of customization, the picture is only for reference, please confirm the actual item with our sales. (If there is any change on specification, please take the latest version as standard.)

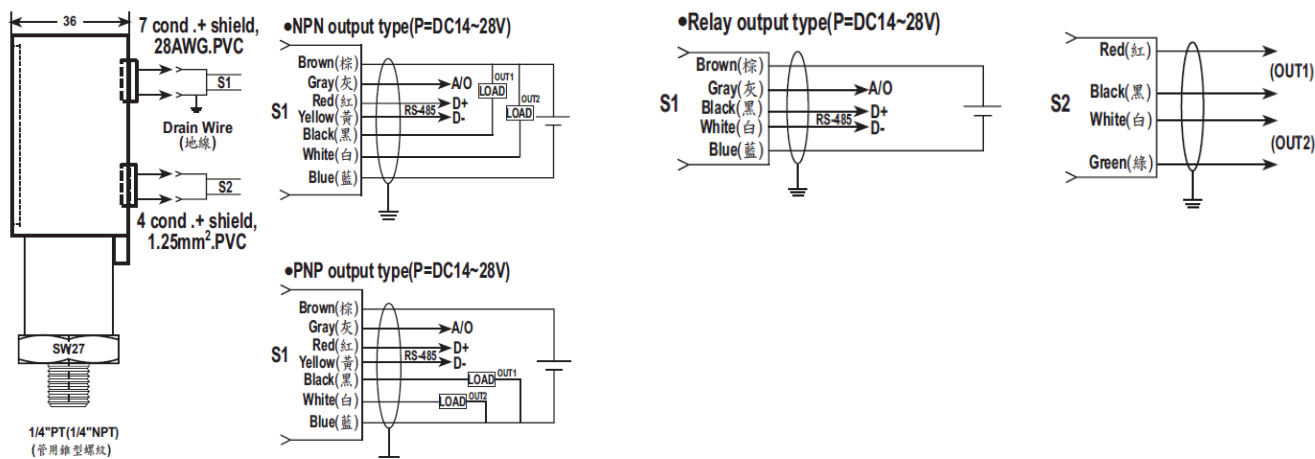
Features

- The display reading color will automatically turn to red/green when alarm status is changed
- Accuracy 0.5%F.S. (Max. 0.25%F.S.)
- The pressure measuring elements adopt piezoresistive ceramic unit and SS 316
- 7 Switchable pressure units
- Protection level IP65
- 3 types two sets alarm output available: Relay, NPN, PNP
- Dual alarm function: hysteresis and window comparator mode
- 4-20mA or 1-5V analog output available (option)
- Digital RS-485 output available (option)

Pressure range

Code	range
01	-1~2 bar
02	-1~10 bar
03	-1~50 bar
04	0~250 bar

Wiring diagram



How to order

DPS-2.5SPD3 Multifunction Pressure Switch									
Std.	Spec.	Code	Item	Code	Item	Code	Item	Code	Item
2P	Pressure connection	2P	1/4" PT	2N	1/4" NPT	-	-	-	-
NPN	Switch alarm output	N	None	NPN	NPN*2	PNP	PNP*2	RELAY	Relay*2
A	Analog output	N	None	V	1-5V	A	4-20mA	-	-
04	Pressure range	Please refer to Pressure Range Table and select corresponding code							
RS485	RS485 output	N	None	RS485	RS485	-	-	-	-
A	Accuracy	A	±0.5%F.S.	B	±0.25%F.S.	-	-	-	-
/B	Other requests	/A	Third party notarized document						
		/B	Inspection report (issued by Re-Atlantis)						
		/C	Tag						

Order example: DPS-2.5SPD3 - 2P - NPN - A - 04 - RS485 - A - /B