

Main Specifications

▼ Gauge size
Ø2.5" (63.5mm)

▼ Screen size
35.5 x 18mm

▼ Pressure connection
Material: SS316
1/4" PT
1/4" NPT
Other thread spec. available upon request

▼ Pressure range
Please refer to pressure range table

▼ Alarm output (option)
NPN x2 / PNP x2 / Relay x2

▼ Analog output (option)
1~5V / 4-20mA

▼ RS485 (option)
Address: "01" ~ "FF" (0~255)
Baud rate:
19200/9600/4800/2400
Protocol: Modbus RTU

▼ Screen display
Bright red / green 0.4" LED

▼ Power supply
DC 14-30V

▼ Applicable fluid
Liquid and gas that compatible with SS 316

▼ Operating temperature
-10°C to +60°C

▼ Media temperature
-30 to +80°C

▼ Storage temperature
-30 to +80°C

▼ Ambient humidity
≤95% R.H.

▼ Atmospheric pressure
860...1060 mbar

▼ Protection level
IP65

▼ CE certificate
EN 55022:1988/A1:2000 Class A
EN 61000-3-2:2000
EN 61000-3-3:1995/A1:2001
EN 55024:1998/A1:2001

Other Specifications

▼ Display material
NYLON66+PBT+15%GF
(UL94V-0)

▼ Sealing material
< 16 bar: NBR,
> 16 bar: PVDF

▼ Reading display range
5-digit -19999~99999

▼ Refresh rate
0.1~9.9 secs

▼ Memory mode
Non-volatile EEPROM

▼ Parameter setting
Touch buttons

▼ Accuracy
0.5%F.S. (Max. 0.25%F.S.)

▼ Pressure unit
bar, kg/cm², kPa, MPa, psi,
mmHg, inHg

▼ Overpressure
< 60 bar: 2*F.S.
> 60 bar: 1.5*F.S.

▼ Burst pressure
< 160 bar: 3*F.S.
> 250 bar: 1.8*F.S.

▼ Relay output mode
HI / LO / GO / HL

▼ Relay contact rating
AC 250V-5A
DC: 30V-7A

▼ Transistor output
Max.: DC 60V/100mA

▼ Measuring elements
Ceramic A12O3-96%
SS316

▼ Response time
< 50ms (0~90%)

▼ Output drive capability
Voltage mode: 10mA
Current mode: 10V

▼ Thermal span/zero shift
±0.05% / 10°C

▼ Zero point long-term stability (@23±5°C)
< 60 bar: ±0.1%/year
> 60 bar: ±0.15%/year

▼ Weight
380g (include wire)

Multifunction Pressure Switch

Model: DPS-2.5SPD3



Due to the variety of customization, the picture is only for reference, please confirm the actual item with our sales. (If there is any change on specification, please take the latest version as standard.)

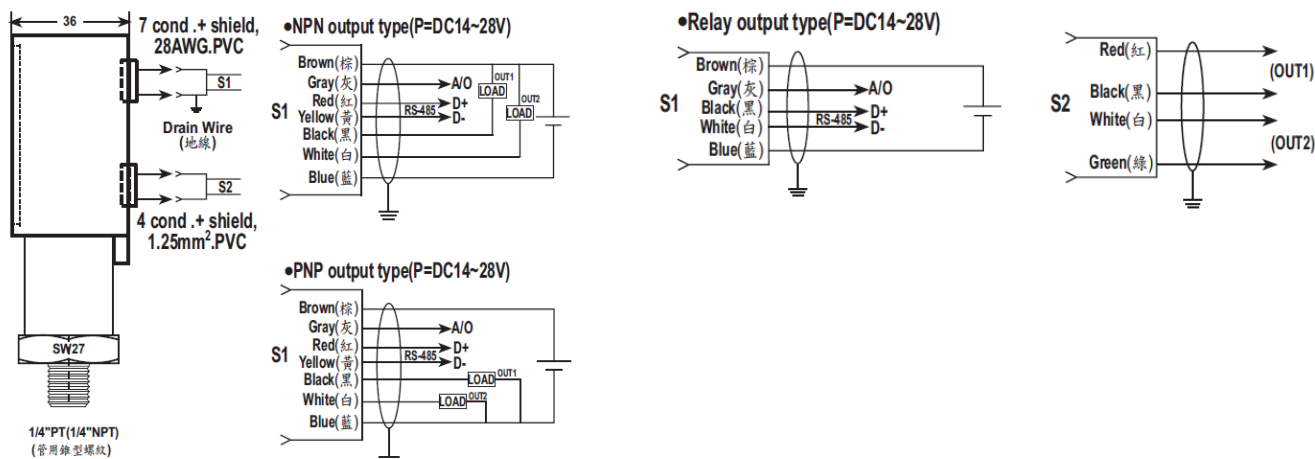
Features

- The display reading color will automatically turn to red/green when alarm status is changed
- Accuracy 0.5%F.S. (Max. 0.25%F.S.)
- The pressure measuring elements adopt piezoresistive ceramic unit and SS 316
- 7 Switchable pressure units
- Protection level IP65
- 3 types two sets alarm output available: Relay, NPN, PNP
- Dual alarm function: hysteresis and window comparator mode
- 4-20mA or 1-5V analog output available (option)
- Digital RS-485 output available (option)

Pressure range

Code	range
01	-1~2 bar
02	-1~10 bar
03	-1~50 bar
04	0~250 bar

Wiring diagram



How to order

DPS-2.5SPD3 Multifunction Pressure Switch									
Std.	Spec.	Code	Item	Code	Item	Code	Item	Code	Item
2P	Pressure connection	2P	1/4" PT	2N	1/4" NPT	-	-	-	-
NPN	Switch alarm output	N	None	NPN	NPN*2	PNP	PNP*2	RELAY	Relay*2
A	Analog output	N	None	V	1-5V	A	4-20mA	-	-
04	Pressure range	Please refer to Pressure Range Table and select corresponding code							
RS485	RS485 output	N	None	RS485	RS485	-	-	-	-
A	Accuracy	A	±0.5%F.S.	B	±0.25%F.S.	-	-	-	-
/B	Other requests	/A	Third party notarized document						
		/B	Inspection report (issued by Re-Atlantis)						
		/C	Tag						

Order example: DPS-2.5SPD3 - 2P - NPN - A - 04 - RS485 - A - /B