

Main Specifications

- ▼Size
2.5" (60mm)
- ▼Installation type
Bottom /
Back mount with front flange
- ▼Pressure connection
Material: stainless steel
1/2" NPT
1/2" PT
1/4" PT
M20 x1.5
Other thread type available upon request
- ▼Pressure range
Gauge pressure ▼
0~1000 bar
Vacuum pressure ▼
-1~0bar
- ▼Applicable fluid
Liquid and gas that compatible with stainless steel
- ▼Ambient temperature
-20°C to +70°C
- ▼Relative humidity
80% R.H.
- ▼Atmospheric pressure
860...1060 mbar
- ▼Temperature error
Standard temp.: 20°C
max. error: ±0.1% F.S
(0~50°C)

Other Specifications

- ▼Ring
Stainless steel
- ▼Case
SS304
- ▼Screen display
4-digit LCD with backlight
- ▼Refresh rate
4 times/sec
- ▼Backlight auto open time
1~15mins (adjustable)
- ▼Auto power off time
1~15mins (adjustable)
- ▼Screen size
40 x 18 mm
- ▼Pressure unit
psi, bar, kPa, kg/cm², MPa
- ▼Resolution
0.001
- ▼Measuring elements
High tech piezoresistive silicon chip
SS 316L diaphragm
- ▼Accuracy
±0.2% / ±0.5%
- ▼Stability
≤ 0.1%/year
- ▼Operating pressure
Overpressure: 2* full scale
- ▼Power supply
3.6V lithium battery

ø60 Digital Pressure Gauge

Model: DPG-Q2.5-PSD

Introduction

DPG-Q2.5-PSD digital pressure gauge adopts high tech piezoresistive silicon chip pressure sensor. The output signal will be processed through a high accuracy and low temperature drift amplifier then processed by a high accuracy analog to digital converter. The signal will be transformed to digital signal which microprocessor can process. The LCD screen will display the calculated value. DPG-Q2.5-PSD features easy, installation operation and setting, which is suitable for fluid pressure measurement in industrial application.

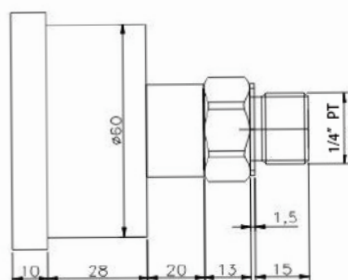
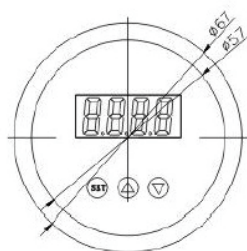


Due to the variety of customization, the picture is only for reference, please confirm the actual item with our sales. (If there is any change on specification, please take the latest version as standard.)

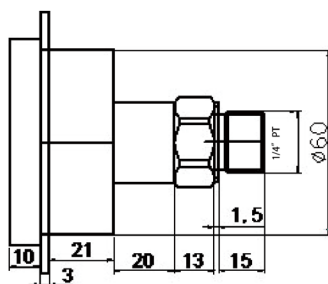
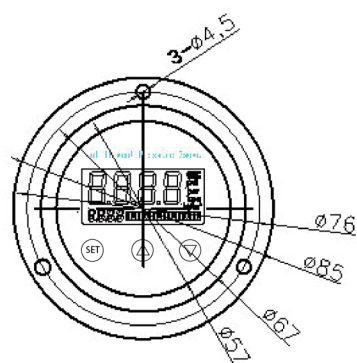
Features

- 4-digit 0.36" LED screen display without visual error
- The blue LED light ensures clear reading in strong light environment
- External power supply - 8~30VDC
- ø60mm back mount with flange installation
- Field zero & offset calibration

Dimension



AD Back mount type



BD Back mount with flange

How to order

DPG-Q2.5-PSD		ø60 Digital Pressure Gauge			
Code		Installation type			
AD		Back mount			
BD		Back mount with flange			
Code		Pressure range			
Custom		-1...0 to 1000bar			
Code		Pressure connection			
2P		1/4" PT			
4P		1/2" PT			
M20		M20x1.5			
O		Others			
Code		Other demands			
/A		Third party notarized documents			
/B		Inspection report			
/C		Tag			
/D		Customized dial (brand, color, etc.)			
/E		Thread adapter: to adapt other thread			
DPG-Q2.5-PSD	BD	0~10bar	2P	Order example: DPG-Q2.5-PSD-BD-0~10bar-2P	