

Main Specifications

▼ **Dimension**

C: 17 x 20mm
 S: 21 x 18mm
 R: 34 x 33mm

▼ **Height**

C: 150
 S/R: 150 / 200 / 300 / 400

▼ **Tube Material**

Glass / PC / Acrylic

▼ **Seal Material**

Teflon / Neoprene/ Viton

▼ **Connection Size**

1/4" O-ring

▼ **Connection Type**

PS / PT / Hammer Union

▼ **Applicable fluid**

Clean, low viscosity liquids

▼ **Protection level**

IP43

▼ **Temperature error**

Standard:
 Calibrated temperature
 0.25% error per 4°C.

▼ **Maximum Pressure**

4kg/cm²

▼ **Maximum Temperature**

100°C

Other Specifications

▼ **Housing**

C: Copper
 S: SS316
 R: Aluminum

▼ **Filling liquid**

Red organic liquid

▼ **Measuring Principle**

Liquid expansion

Cylindrical Level Gauge

Model: CLG-Series



CLG-C

CLG-S

CLG-R

Due to the variety of customization, the picture is only for reference, please confirm the actual item with our sales. (If there is any change on specification, please take the latest version as standard.)

Features

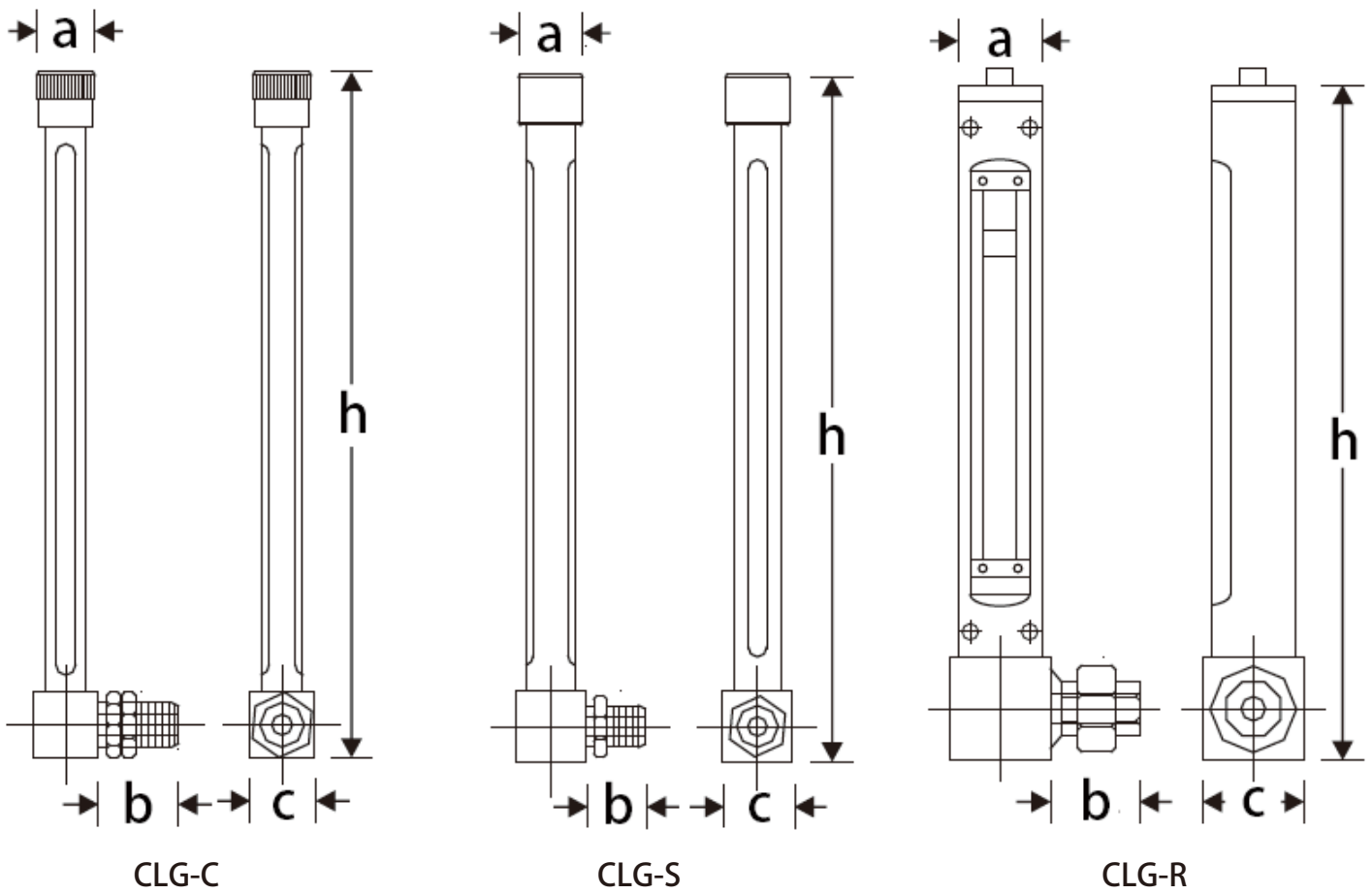
- Selectable Height
- Rugged construction

How to order

<u>CLG-C</u>	<u>150</u>	<u>1/4"</u>	<u>PS</u>	<u>Glass</u>	<u>Teflon</u>
Model	Length*	Connection Size	Connection Type	Tube Materials	Seal Materials
CLG-C	150	1/4"	PT	Glass	Teflon
CLG-S	200	3/8"	PS	PC	Neoprene
CLG-R	300 400	1/2"	Hammer Union	Acrylic	Viton

*Only available for model S and R

Dimensions



Model	h	a	b	c
CLG-C	150	17	20	22
CLG-S	150/200/300/400	21	18	22
CLG-R	150/200/300/400	34	33	38

Unit: mm