

## Main Specifications

- ▼ **Size**  
2.5" , 3" , 4" , 5" , 6"
- ▼ **Installation type**  
Bottom mount
- ▼ **Window**  
Glass
- ▼ **Process connection**  
Material: SS304  
Thread size: 1/4" , 3/8" , 1/2"  
(Option: 3/4" , 1" )  
Thread type: BSPT, NPT, PF
- ▼ **Stem**  
Material: SS304 / SS316  
Outer diameter: 6.35mm  
Length: 63mm ~ 2032mm
- ▼ **Temperature range**  
Min. -50°C  
Max. +600°C
- ▼ **Applicable media**  
Liquid and gas that compatible with SS304
- ▼ **Liquid-filling (Option)**  
Glycerin
- ▼ **Protection level**  
IP 54

## Other Specifications

- ▼ **Ring**  
Stainless steel  
Outside bayonet
- ▼ **Case**  
SS304  
With external adjustable screw  
(Hexagonal flathead screw)
- ▼ **Pointer**  
Aluminum with black enamel
- ▼ **Dial face**  
Red and black scale  
Pressure unit, scale, and color can be customized upon request
- ▼ **Measuring elements**  
Bimetal  
Temperature sensing area: last 2" ~4" of stem
- ▼ **Temperature accuracy**  
±1°C < -20°C~80°C >
- ▼ **Operating temperature**  
Stabilization: 3/4\* full scale  
Short-time: 1\* full scale

## Bimetal Thermometer (Bottom Mount Type)

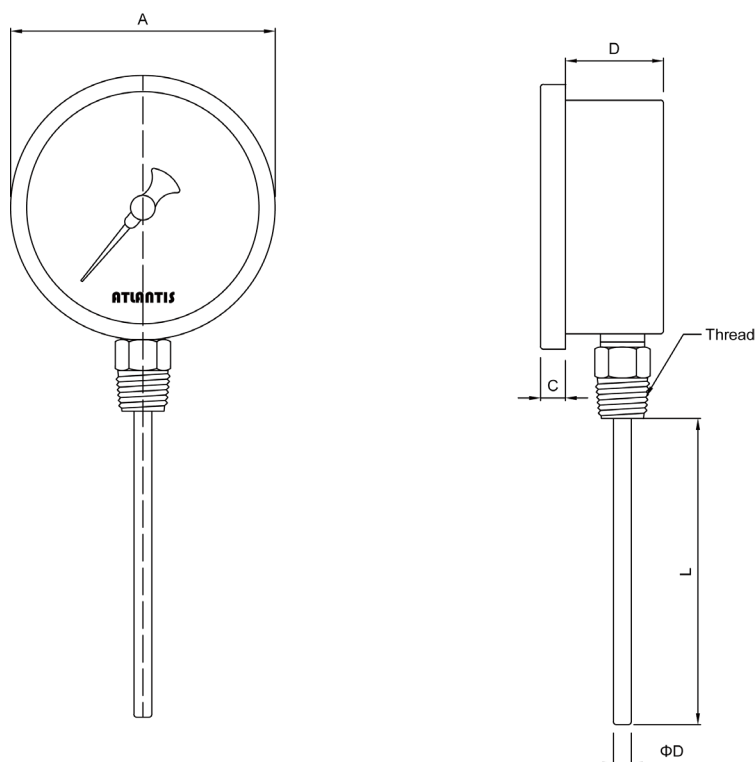
### Model: BTI

### Introduction

BTI bottom mount type thermometer adopts bimetallic measuring elements with wide temperature measurement range (-50 to 600°C). Stem length and outer diameter can be customized upon request, which makes it suitable for various industrial environment.



### Dimension



Due to the variety of customization, the picture is only for reference, please confirm the actual item with our sales. (If there is any change on specification, please take the latest version as standard.)

### Features

- OEM services
- All stainless steel design
- Customized stem length and outer diameter
- External adjustable screw
- Dual temperature unit scale (°C/°F)
- Filled with liquid to improve vibration-proof performance and service life (option)
- Install a switch contact (option)

## How to order

BTI Bimetal Thermometer (Bottom Mount Type)										
Std.	Spec.	Code	Item	Code	Item	Code	Item	Code	Item	
04	Size	025	2.5"	03	3"	04	4"	05	5"	
		06	6"	—	—	—	—	—	—	
4	Thread size	2	1/4"	3	3/8"	4	1/2"	6	3/4"	
		8	1"	0	Others	—	—	—	—	
P	Thread type	P	BSPT	N	NPT	F	PF	O	Others	
304	Stem material	304	SS304	316	SS316	O	Others	—	—	
Custom	Stem outer diameter	Standard: 6.35mm Other stem outer diameter available upon request								
Custom	Stem length	Standard: 63.5mm Other stem length available upon request								
Custom	Temperature range	-50 to 600°C								
/B	Other requests	/A	Third party notarized documents			/B	Inspection report			
		/C	Tag			/D	Customized dial face (scale, color, unit, etc.)			
		/E	Thermowell (thermowell specifications are customized according to the selected stem specifications)			/F	Install a switch contact			
		/G	Filled with liquid (Improve vibration-proof and service life)			/H	Window - safety glass (only available for > 4" )			
		/I	Install an swivel nut on connection			/J	Window - rubber O-ring sealed			
		/K	Case material SS316			/L	Knife edge pointer			
		/M	Concaved dial face for easy reading			/N	Remove external adjustable screw			
		/O	Remove anti-sway pointer (increase sensibility)			/P	Remove stem thread (min. 35mm 200~300°C)			

Order example: BTI - 04 - 4 - P - 304 - 6.35mm - 63.5mm - (0 to 100°C) - /B