

Main Specifications

- ▼ **Size**
4" ,6"
- ▼ **Installation type**
Bottom mount (A) /
Bottom mount with front
flange (B) /
Horizon connection (C1) /
Vertical connection (C2)
- ▼ **Window**
General glass / Safety glass
- ▼ **Pressure connection**
Material:
SS316 (Option: SS304)
Thread size: 1/2"
Thread type:
NPT / PF
(male / female thread)
- ▼ **Thread hole pitch (Calculate from the center of the thread)**
54mm (standard) /
37mm (option)
- ▼ **Differential pressure range**
0...0.1 to 25bar
- ▼ **Applicable fluid**
Liquid and gas that compatible with connection's material
- ▼ **Ambient temperature**
-20°C to +70°C
- ▼ **Fluid temperature**
+100°C
- ▼ **Liquid-filling**
Dry
Glycerin
Silicon oil
- ▼ **Protection level**
IP55 (Option: IP65)

Other Specifications

- ▼ **Ring**
Stainless steel
- ▼ **Ring mount**
Bayonet
- ▼ **Case**
SS304 (Option: SS316)
- ▼ **Pointer**
Aluminum with black enamel
Adjustable pointer
- ▼ **Dial face**
Blue and black scale
Dial face specially designed for differential measurement
- ▼ **Measuring elements**
Diaphragm
Material: SS316
- ▼ **Movement**
Stainless steel
- ▼ **Accuracy**
2.5% (Standard) /
1.6% (Option)
- ▼ **Maximum static pressure**
≤100bar (Option: 200/400bar)
- ▼ **Other requests (Option)**
Third party notarized documents
Inspection report
Tag
Customized dial face (scale, colors, unit, etc.)
Install diaphragm seal
Coating
Install throttle screw
Dampened movement
Install capillary

All Stainless Steel Differential Pressure Gauge (Double Diaphragm Type)

Model: MDD

Introduction

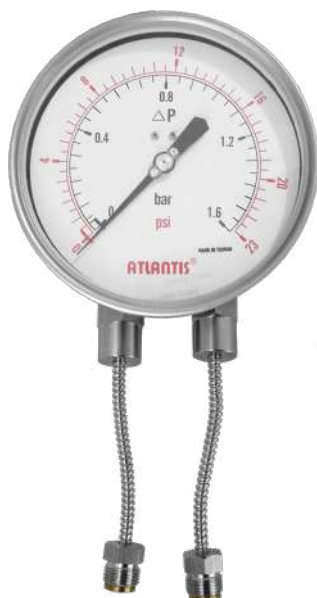
MDD has high pressure resistance and high anti-corrosive performance. The diaphragm type pressure gauge is mainly use for the positive and negative pressure port of the filter. It is suitable for measuring differential pressure of liquid level, pump inlet and outlet, oil pipeline, pipeline gas and pressurize pump station, can be matched with Triple Valve.



Due to the variety of customization, the picture is only for reference, please confirm the actual item with our sales. (If there is any change on specification, please take the latest version as standard.)

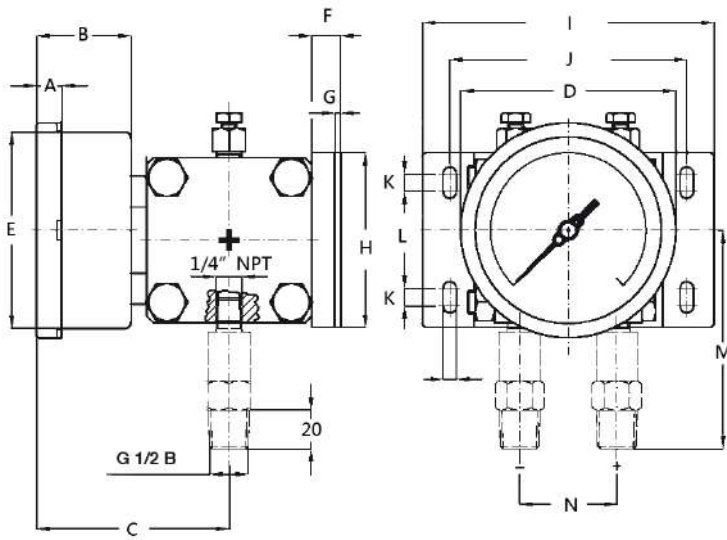
Feature

- OEM service
- Adopts diaphragm as pressure sensing elements
- Welded connection
- All stainless steel design
- Long service life
- Use with a 3-valve or 5-valve (option)

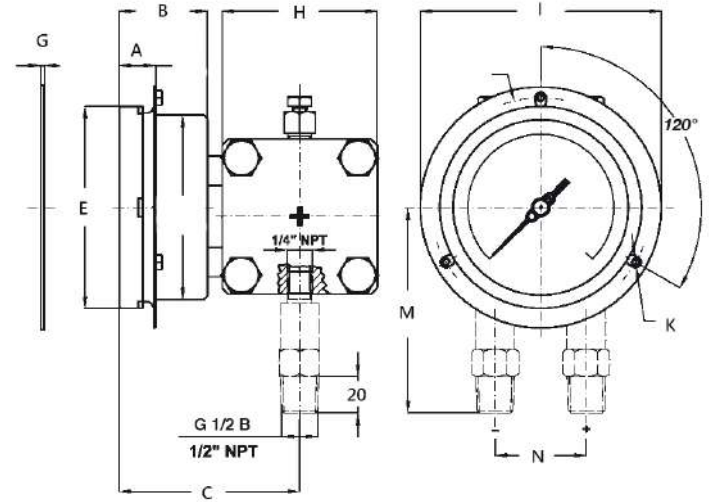


Install capillary

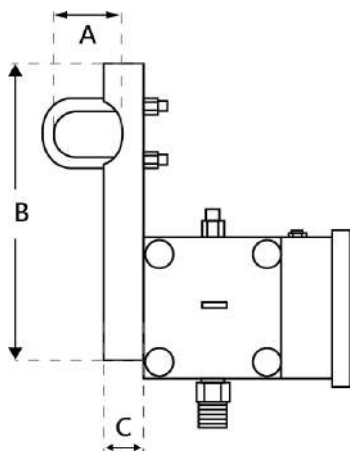
Installation type



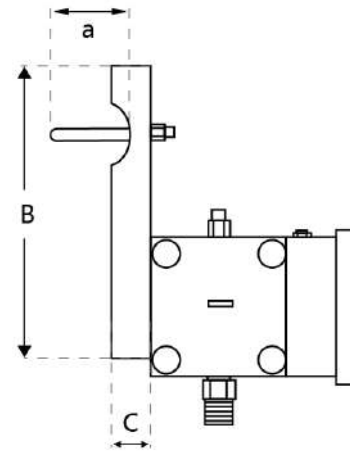
Bottom mount (A)



Bottom mount with front flange (B)



Horizon connection (C1)



Vertical connection (C2)

How to order

MDD All Stainless Steel Differential Pressure Gauge (Diaphragm Type)											
Std.	Spec.	Code	Item	Code	Item	Code	Item	Code	Item	Code	Item
04	Size	04	4"	06	6"	-	-	-	-	-	-
O	Liquid-filling	O	Dry	G	Glycerin	S	Silicon oil	-	-	-	-
A	Installation type	A	Bottom mount	B	Bottom mount with front flange	C1	Horizon connection	C2	Vertical connection	-	-
304	Pressure connection material	304	SS 304	316	SS316	O	Others	-	-	-	-
4	Thread size	4	1/2"	O	Others	-	-	-	-	-	-
N	Thread spec.	N	NPT	F	PF	O	Others	-	-	-	-
M	Thread type	M	Male	F	Female	-	-	-	-	-	-
54	Thread hole pitch	37	37mm	54	54mm	-	-	-	-	-	-
Custom	Differential pressure range	0...1 to 60 bar Pressure unit on dial face scale: kg/cm ² , bar, psi, Pa, kPa, MPa, atm (Special unit and single/dual scale can be customized upon request)									
/B	Other requests	/A	Third party notarized document								
		/B	Inspection report (issued by Re-Atlantis)								
		/C	Tag								
		/D	Triple Valve								

Order example: MDD - 04 - O - A - 304 - 4 - N - M - 54 - (0...1bar) - /B