

## Main Specifications

## ▼Type

Normal: AT505-7D

Narrow dead band: AT505-7DK

## ▼Pressure connection

Material: stainless steel

Thread: G1/4"

## ▼Adjustable set point range

0.3...25 MPa

For detail please refer to adjustable set point range

## ▼Dead band

Fixed/Adjustable/Narrow fixed dead band

For detail please refer to adjustable set point range

## ▼Applicable fluid

Neutral gas that compatible with stainless steel

## ▼Ambient temperature

-5 to 40°C

## ▼Fluid temperature

0 to 90°C

## ▼Vibration-proof performance

AT505-7D: Max. 40m/s<sup>2</sup>

AT505-7DK: Max. 20m/s<sup>2</sup>

## ▼Protection level

IP65

## Other Specifications

## ▼Installation

Bottom mount

## ▼Case

Die casting aluminum

## ▼Measuring elements

Piston

Piston body material ▼

Copper alloy / SS304

Piston case material ▼

Brass

Piston sealing ▼

NBR O-ring

## ▼Switch type

SPDT micro switch

## ▼Switching frequency

20 times/min

## ▼Max operating pressure

30MPa

## ▼Repeatability

≤2.5%

## ▼Contact rating

AC220V, 6A (resistive load)

## ▼Service life

2,000,000 cycles

## ▼Other requests (Option)

Third party notarized document

Inspection report

(issued by Re-Atlantis)

Tag

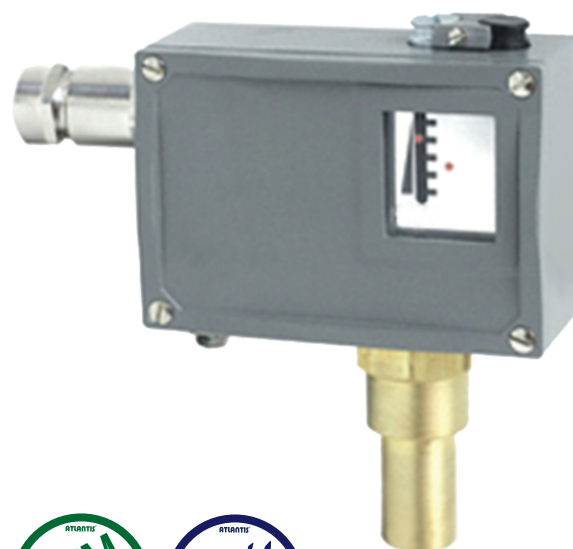
Damper (For large pressure change occasions)

## Mechanical Pressure Switch (For Oil Mist Type)

### Model: AT505-7 Series

### Introduction

AT505-7 series pressure switch adopts hermetically sealed piston, which is specially designed for neutral gas contains oil mist. Adjustable set point range 0.3...25 MPa.

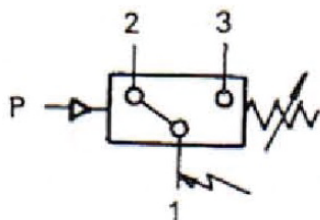


Due to the variety of customization, the picture is only for reference, please confirm the actual item with our sales. (If there is any change on specification, please take the latest version as standard.)

### Features

- OEM service
- Measuring elements adopt hermetically sealed piston
- Adjustable set point range 0...0.3 to 25MPa
- Fixed/adjustable/narrow fixed dead band types are available for wide applications
- Protection level IP65
- Explosion-proof type available (option)

### SPDT micro switch working principle



Terminal 1-3:

Close circuit when pressure is increased to setting pressure value

Terminal 1-2:

Open circuit when pressure is increased to setting pressure value

**Adjustable Set Point Range (Fixed Dead Band) Table**

Model	Adjustable Setting range (MPa)	Dead band		Maximum operating pressure* (MPa)	Switching frequency per minute	Pressure connection	Weight (kg)	Order No.
		Lower limit (MPa)	Upper limit (MPa)					
AT505-7D	0.3.....4	0.5	0.9	30	20	G1/4"	0.9	0816500
	0.5.....6.3	0.6	1.3					0816600
	0.5.....10	0.6	1.6					0816700
	0.5.....16	0.7	1.9					0816800
	1.....23	1	2.5					0816919

**Adjustable Set Point Range (Adjustable Dead Band) Table**

Model	Adjustable Setting range (MPa)	Dead band		Maximum operating pressure* (MPa)	Switching frequency per minute	Pressure connection	Weight (kg)	Order No.
		Lower limit (MPa)	Upper limit (MPa)					
AT505-7D	0.3.....4	0.8...2.5	1.3...2.5	30	20	G1/4"	0.95	0806500
	0.5.....6.3	1...4	1.6...4					0806600
	0.5.....10	1.1...8	1.6...8					0806700
	0.5.....16	1.3...12	2.2...12					0806800
	1.....23	1.4...12	2.8...12					0806919

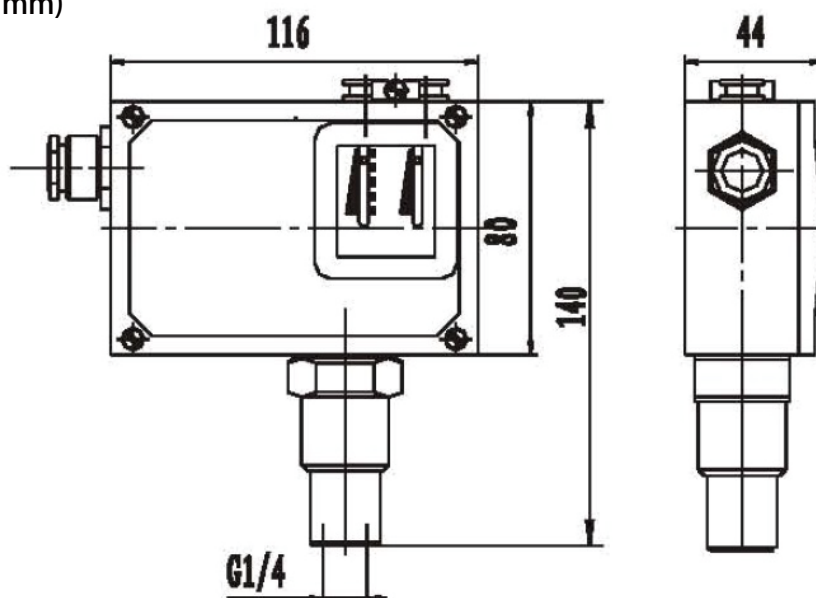
**Adjustable Set Point Range (Fixed, Narrow Dead Band) Table**

Model	Adjustable Setting range (MPa)	Dead band		Maximum operating pressure* (MPa)	Switching frequency per minute	Pressure connection	Weight (kg)	Order No.
		Lower limit (MPa)	Upper limit (MPa)					
AT505-7DK	0.3.....4	0.3	0.8	30	20	G1/4"	0.8	0816507
	0.5.....6.3	0.4	1.2					0816607
	0.5.....10	0.4	1.4					0816707
	0.5.....16	0.5	1.6					0816807
	1.....23	0.5	1.2					0816917

Note:

\*: Operating pressure peak value cannot over maximum operating pressure value even in short-time measurement.

Dimension (unit: mm)



## How to order

AT505-7		Mechanical Pressure Switch (For Oil Mist Type)			
Code		Type			
D		AT505-7D (Normal type)			
DK		AT505-7DK (Narrow dead band type)			
Code		Set point range and dead band			
0816500		Please refer to adjustable set point range (fixed/adjustable/narrow dead band) table and select corresponding order code			
Code		Pressure connection			
G2		G1/4"			
O		Others (please specify)			
Code		Switch type			
P		Micro switch SDPT			
O		Others (please specify)			
AT505-7	D	0816500	G2	P	Order example: AT505-7-D-0816500-G2-P