

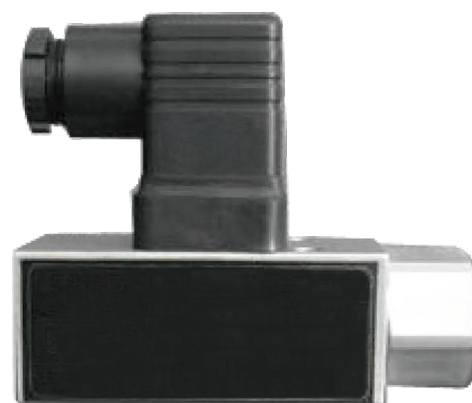
Main Specifications	Other Specifications
<p>▼ Pressure connection Material: stainless steel Thread spec.: G1/4" Other thread spec. are available upon request</p> <p>▼ Installation Bottom mount (15° tilt angle is acceptable)</p> <p>▼ Adjustable set point range 0.5...40MPa For detail please refer to adjustable set point range table</p> <p>▼ Applicable media Neutral lubricating media</p> <p>▼ Ambient temperature -25 to 55°C</p> <p>▼ Media temperature -25 to 80°C</p> <p>▼ Vibration-proof performance Max. 100m/s²</p> <p>▼ Protection level IP54</p>	<p>▼ Case Die casting aluminum</p> <p>▼ Measure element Piston Material: Steel NBR O-ring</p> <p>▼ Switch type SPDT micro switch</p> <p>▼ Switching frequency 100 times/min</p> <p>▼ Repeatability ≤2.5%</p> <p>▼ Contact rating AC220V, 6A (resistive load)</p> <p>▼ Weight 0.2kg</p> <p>▼ Other request (Option) Third party notarized documents Inspection report Tag</p>

Mechanical Compact Pressure Switch

Model: AT505-18D

Introduction

AT505-18D pressure switch adopts no leakage steel piston as pressure sensor, which is applicable to hydraulic oil, lubricating oil, light fuel oil and other neutral lubricating media. Adjustable set point range 0.5...40MPa.



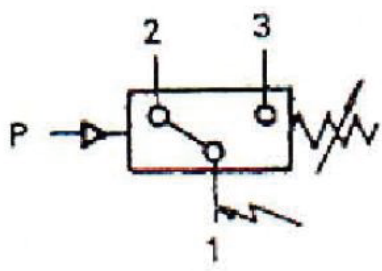
Due to the variety of customization, the picture is only for reference, please confirm the actual item with our sales. (If there is any change on specification, please take the latest version as standard.)



Features

- OEM service
- Set point field adjustment, adjustable range 0.5...40MPa
- Adopts no leakage steel piston as pressure sensor
- High switch frequency: 100 times/min

SPDT micro switch working principle



Terminal 1-3:
Close circuit when pressure is increased to reach setting pressure value

Terminal 1-2:
Open circuit when pressure is increased to reach setting pressure value

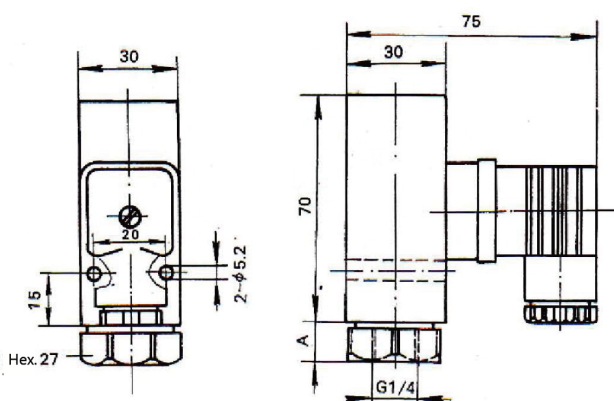
Adjustable set point range (Fixed Dead Band) Table (1MPa = 1000kPa)

Model	Adjustable set point range (MPa)	Dead band		Maximum operating pressure* (MPa)	Connection type	Pressure connection	Weight (kg)	Dimensions code	Order No.
		Lower limit (MPa)	Upper limit (MPa)						
AT505-18D	0.5...7	0.8	2	40	Female thread	G1/4"	0.2	04	0882100
	0.5...7	0.8	2		Flange	Custom		03	0883100
	1...16	1.2	3.5		Female thread	G1/4"		04	0882200
	1...16	1.2	3.5		Flange	Custom		03	0883200
	2.5...25	1.5	4		Female thread	G1/4"		05	0882300
	2.5...25	1.5	4		Flange	Custom		03	0883300
	4...40	1.8	4.5	60	Female thread	G1/4"		05	0882400
	4...40	1.8	4.5		Flange	Custom		03	0883400

Note:

*: Operating pressure peak value cannot over maximum operating pressure value even in short-time measurement.

Dimensions



Dimensions code	A
04	6
05	7

*03 has no pressure connection drawing.

How to order

AT505-18D		Mechanical Compact Pressure Switch		
	Code	Set point range and dead band		
	0882100	Please refer to adjustable set point range (fixed dead band) table and select corresponding order code		
	Code	Pressure connection		
	2G	G1/4"		
	O	Others		
	Code	Switch type		
	SP	SPDT micro switch		
	O	Others		
AT505-18D	0882100	2G	SP	Order example: AT505-18D-0882100-2G-SP