

Main specifications

▼ Screen display

39x23 (W x H)
350° rotatable angle
Double row 5-bit/8-bit,
7-section/16 section with
backlight LCD display
-19999-99999

ADC sampling: 24-bit

▼ Electrical connection (transmitter)

DIN 43650, female seat
M12*1 (5-pin) female seat

▼ Electrical connection (system)

DIN 43650, male seat
M12*1 (5-pin) male seat

▼ Display units

kPa, MPa, Pa, bar, mbar, psi,
mmH₂O, mmHg, cmH₂O,
mmHg, Torr, atm, kg, g, mg, N,
kN, °C, °F, K, %RH, %, VOL,
PPM, %LEL, pH, m, cm, mm,
inch, m/s, Ω, kΩ, mV, V

▼ Ambient temperature

-20 to 70°C

▼ Humidity

5-85% R.H.

▼ Vibration resistance

Vibration: 20g (20-5000Hz)

Shock: 100g/11ms

▼ Protection level

IP55

▼ Certificate

EMC: EN61326

▼ Warranty

12 months

Other Specifications

▼ Housing

Material: ABS+PC

Color: red/black

▼ Display mode

mA, PV, %

▼ Input & output signal

4-20 mA

▼ Power supply

4-20mA loop power supply

8VDC (max. pressure drop)

▼ Accuracy

0.1%F.S., ±1 digit

▼ Delay time

0-255ms

▼ Switch state

Hysteresis N.O. / N.C.

Window Comparator N.O. / N.C.

▼ Switch alarm quantity (option)

PNP/NPN x2 (Max)

▼ Alarm warning

Low alarm: 3.5mA

High alarm: 23mA

▼ Maximum load

Continuous max load 120mA

▼ Refresh rate

Max 10 times/sec

▼ Insulation

500V/100MΩ

▼ Electrical protection

Short-circuit protection,
reverse polarity protection

▼ Weight

About 100g

Intelligent display unit

Model: AT-LCD11

Introduction

LCD intelligent display unit with 3 buttons design enables field parameter adjustment. This rotatable 350° display unit is suitable for all 4-20mA transmitter field readings display and pressure control.

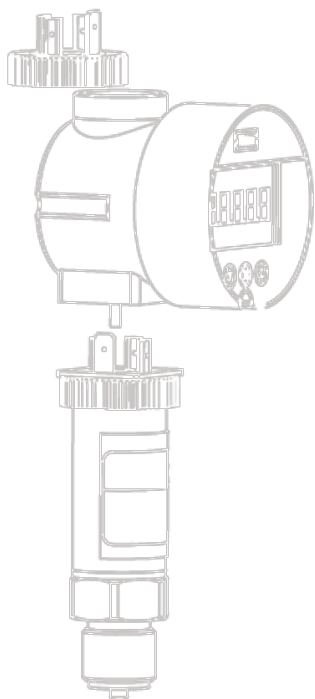


Due to the variety of customization, the picture is only for reference, please confirm the actual item with our sales. (If there is any change on specification, please take the latest version as standard.)

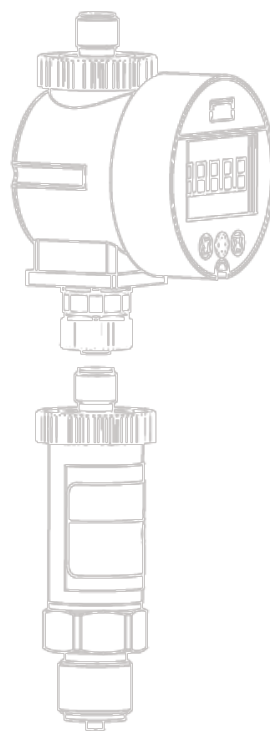
Features

- Adjustable 4-20mA corresponding value
- 350° rotatable display unit
- Suitable for all 4-20mA transmitter field display
- The power is supplied directly from transmitter (4-20mA), without external power supply
- 36 kind of selectable units (pressure, temperature or speed unit)
- 3 display modes available: mA, PV, %
- Switchable decimal point: 0-4 decimal points
- Four switch states - Hysteresis N.O. / N.C. Window Comparator N.O. / N.C.
- Adjustable delay time
- On-off alarm output (option)

Dimension



Electrical connection DIN43650



Electrical connection M12*1

How to order

AT-LCD11		Intelligent display unit			
	Code	Electrical connection (transmitter)			
	D	DIN 43650, female seat			
	M	M12*1 (5-pin), female seat			
	O	Other (please specify)			
	Code	Electrical connection (system)			
	D	DIN 43650, male seat			
	M	M12*1 (5-pin), male seat			
	O	Other (please specify)			
	Code	On-off alarm warning			
	N	None			
	1	PNP/NPN x1			
	2	PNP/NPN x2			
	Code	Housing color			
	R	Red			
	B	Black			
	C	Custom (min order 500pcs)			
	Code	Other request			
	/A	Third party notarized document			
	/B	Inspection report			
	/C	Tag			
	/D	0-100% indication			
	/E	Hysteresis setting 0-5%			
AT-LCD11	D	D	N	R	Order example: AT-LCD11-D-D-N-R+/D