

Main Specifications

- ▼ **Size**
2.5" , 3" , 3.5" , 4"
- ▼ **Installation type**
Bottom mount /
Bottom mount with flange
- ▼ **Window**
PC / Tempered glass /
Safety glass
- ▼ **Pressure connection**
Material: SS316
Welded connection
1/4" NPT
Other thread type available upon request.
- ▼ **Pressure range**
-30inHg...0...150psi to 300psi
- ▼ **Applicable fluid**
Liquid and gas that contain ammonia
- ▼ **Ambient temperature**
Dry / Silicone oil filled
-40°C to +120°C
Glycerin filled
-20°C to +60°C
- ▼ **Fluid temperature**
+60°C
- ▼ **Temperature error**
Every 12°C
max. error ±0.3% F.S
- ▼ **Protection level**
IP54 (Standard) / IP65 (Option)

Other Specifications

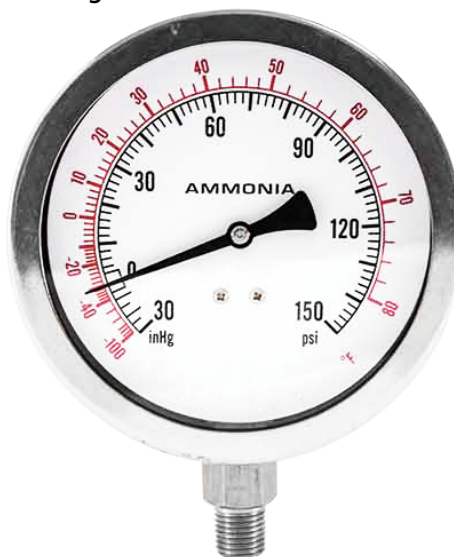
- ▼ **Ring**
Stainless steel
- ▼ **Ring fixed**
Inside bayonet / Crimp
- ▼ **Case**
SS 304
- ▼ **Pointer**
Aluminum with black enamel
- ▼ **Dial**
Blue and black scale
Pressure unit, scale, and color can be customized upon request
- ▼ **Measuring elements**
Bourdon tube
Material: SS316
- ▼ **Movement**
Stainless steel
- ▼ **Accuracy**
±1.6% (Option: ±1%)
- ▼ **Operating pressure**
Stabilization 3/4* full scale
Fluctuation 2/3* full scale
Impulse 1* full scale

All Stainless Steel Refrigeration Ammonia Gauge

Model: AM-SUS

Introduction

AM series gauge are specially designed for measuring liquid and gas that contain ammonia.

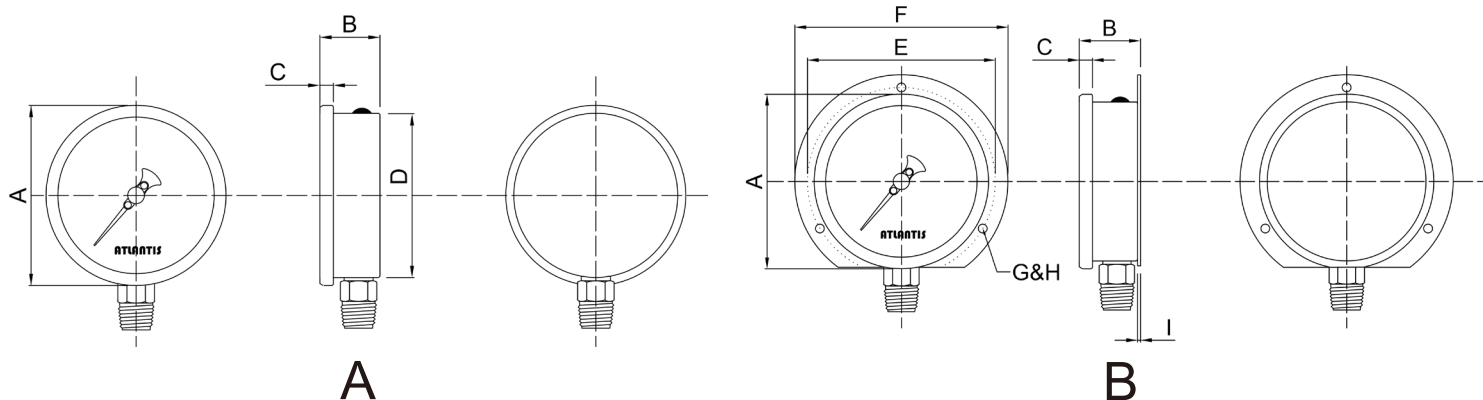


Due to the variety of customization, the picture is only for reference, please confirm the actual item with our sales. (If there is any change on specification, please take the latest version as standard.)

Features

- OEM service
- All stainless steel design
- Special dial for ammonia
- Temperature compensate for the characteristics of ammonia
- Liquid-filling for better vibration-proof performance and service life

Installation type



How to order

AM-SUS All Stainless Steel Case Refrigeration Gauge (For Ammonia Type)										
Std.	Spec.	Code	Item	Code	Item	Code	Item	Code	Item	
04	Size	025	2.5	03	3"	035	3.5"	04	4"	
A	Installation type	A	Bottom mount	B	Bottom mount with flange	-	-	-	-	
316	Connection material	316	SS 316	O	Others	-	-	-	-	
316	Bourdon tube material	316	SS 316	O	Others	-	-	-	-	
2	Thread size	2	1/4"	O	Others	-	-	-	-	
N	Thread type	N	NPT	O	Others	-	-	-	-	
Custom	Pressure range	-30inHg...0...150psi to 300psi								
B	Accuracy	A	±1%	B	±1.6%	-	-	-	-	
O	Liquid-filling	L	Glycerin	S	Silicone oil	N	Use no oil	O	Dry	
/D	Other requests	/A	Third party notarized documents			/B	Inspection report			
		/C	Tag			/D	Customized dial face (scale, color, unit, etc.)			
		/E	Install a diaphragm seal			/F	Internal stop pin for overpressure protection			
		/G	Dampened movement			/H	Window – Safety glass (Only available for 4")			
		/I	Peak hold pointer			/J	Epoxy coating			
		/K	All stainless steel 316 case			/L	Adjustable pointer (Only available for 4")			
		/M	Special square nut A Type			/N	Install a blow out back (Only available for 4")			

Order example: AM-SUS - 04 - A - 316 - 316 - 2 - N - (-30inHg...0...150psi to 300psi) - B - O + /D