

Main Specification **Other Specification**

▼ **Body Dimensions**
120 x 18 mm

▼ **Process Connection**
1/2"NPT Male

▼ **Instrument Connection**
1/2"NPT Female

▼ **Bleed Connection**
1/4"NPT Female

▼ **Working Pressure**
Please refer to working pressure / temperature table

▼ **Working Temperature**
Please refer to working pressure / temperature table

▼ **Body**
SS 316

▼ **Gland Body**
SS 316

▼ **Gland Retainer**
SS 316

▼ **Washer**
SS 316

▼ **Packing**
PFTE / Graphoil

▼ **Packing Washer**
SS 316

▼ **Spindle**
Stellited SS 316

▼ **Lock nut**
SS 316

▼ **Setting screw**
Steel

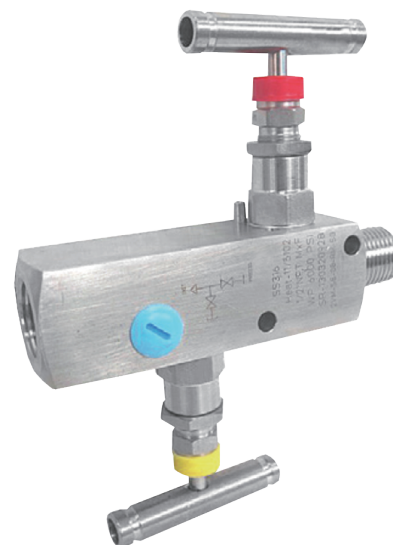
▼ **Handle**
SS304 / Aluminum
Powder coated

▼ **Lock pin**
SS 316 / SS 304

▼ **Dust Cap**
LDPE

▼ **Vee Tip**
17-4 PH

**2-Valve Manifolds
(Remote Installation Type)
Model: 2VM-RI**

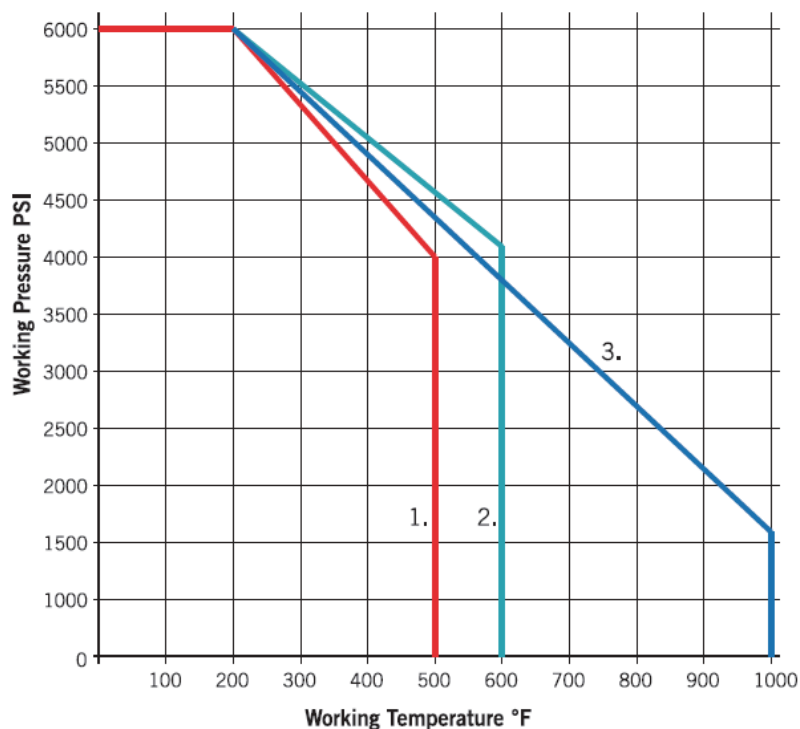


Due to the variety of customization, the picture is only for reference, please confirm the actual item with our sales. (If there is any change on specification, please take the latest version as standard.)

Features

- Forged all-in-one structure provides high strength and durability
- With one bleed valve and one block valve, enabling easily block, bleed and calibrate the static pressure, transmitter, or gauge.

Working Pressure / Temperature Table

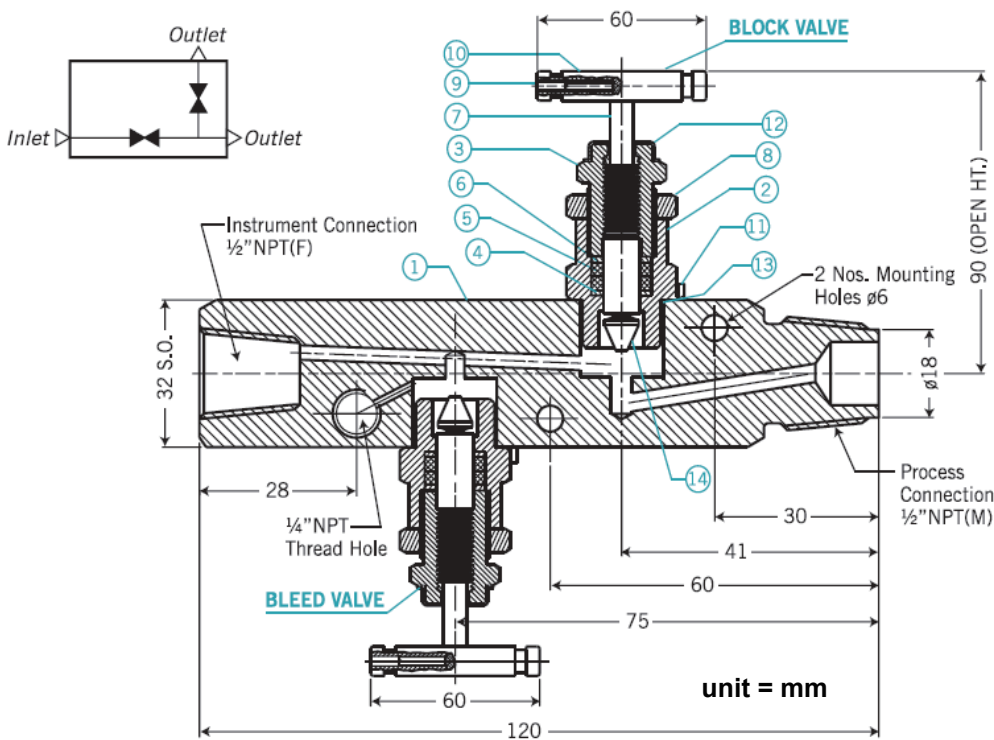


- 1. Teflon Packing
- 2. Graphoil Packing
- 3. SS316 Graphoil Packing

Pressure Rating

Temp.	C.S.	S.S.	Orifice	Cv
77°F	6000 psi	6000 psi	4.8 mm	0.52 max
500°F	4000 psi	4000 psi	4.8 mm	0.52 max
1000°F	1500 psi	1500 psi	4.8 mm	0.52 max

Dimension (mm)



Item	Descriptions	Qty
1	Body	1
2	Gland Body	2
3	Gland Retainer	2
4	Washer	2
5	Packing	4
6	Packing Washer	2
7	Spindle	2
8	Lock Nut	2
9	Setting Screw	2
10	Handle	2
11	Lock pin	2
12	Dust cap	2
13	Washer	2
14	Vee Tip	1

Parts Descriptions / Functions:

Non-Rotating Vee:

- (a) Rolled and plated stem threads provides extra strength
- (b) Screwed bonnet with safety lock ping prevents accidental valve disassembly
- (c) Adjustable packing below threads

Safety Bonnet Lock: Prevents accidental disassembly.

Stem Thread Rolled & Hard Plated: Provides additional strength & maximum service life.

Mirror Finish Stem, Burnished to a 16RMS: Extends packing life and smoothens stem operation.

Adjustable Packing below Stem Threads: Prevents stem lubrication wash out and isolates threads from process contamination.

Safety Back Seating: Provides secondary stem seal in full open position, prevents stem blowout.

Valve Tip to Seat: Metal to Metal

Stainless Steel Handle: For hand actuation

Body to Bonnet Seal: Metal to Metal constant compression, isolated bonnet threads from system fluids and eliminates possible tensile.

Dust Cap: Prevents contamination wash out of bonnet assembly.

How to order

<u>2VM-RI</u>	<u>SS316</u>	<u>Teflon</u>	<u>1/2" NPT male</u>	<u>1/2" NPT female</u>	<u>1/4" NPT female</u>
Model	Body material	Packing Material	Process Connection	Instrument Connection	Bleed Connection
2VM-RI	SS316	Teflon	1/2" NPT male	1/2" NPT female	1/4" NPT female
	Others	Graphoil	Others	Others	Others
		SS316 Graphoil			

Other Request:

■ Delivery inspection report

■ Third person notarized documents